

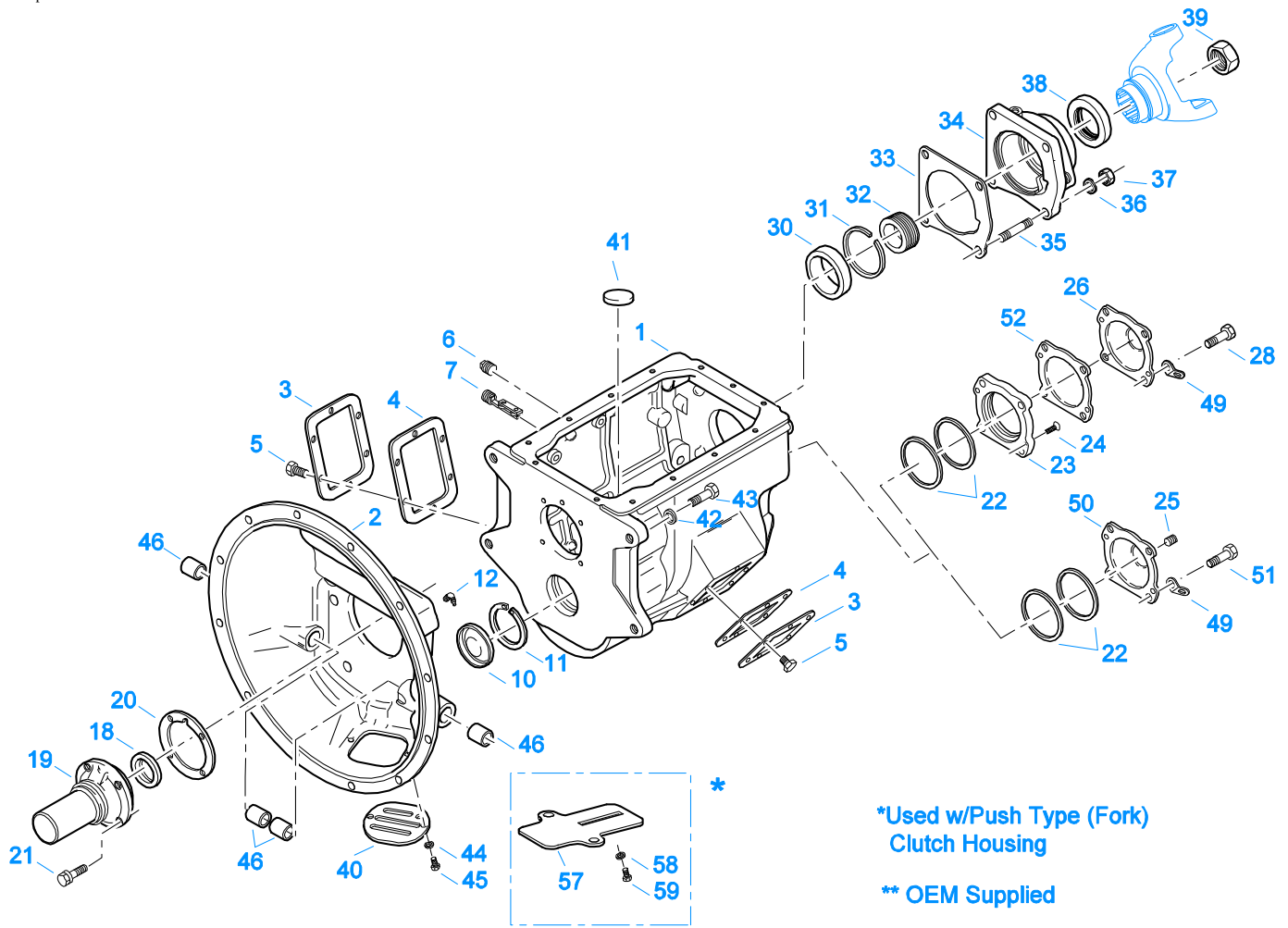


Roadranger®

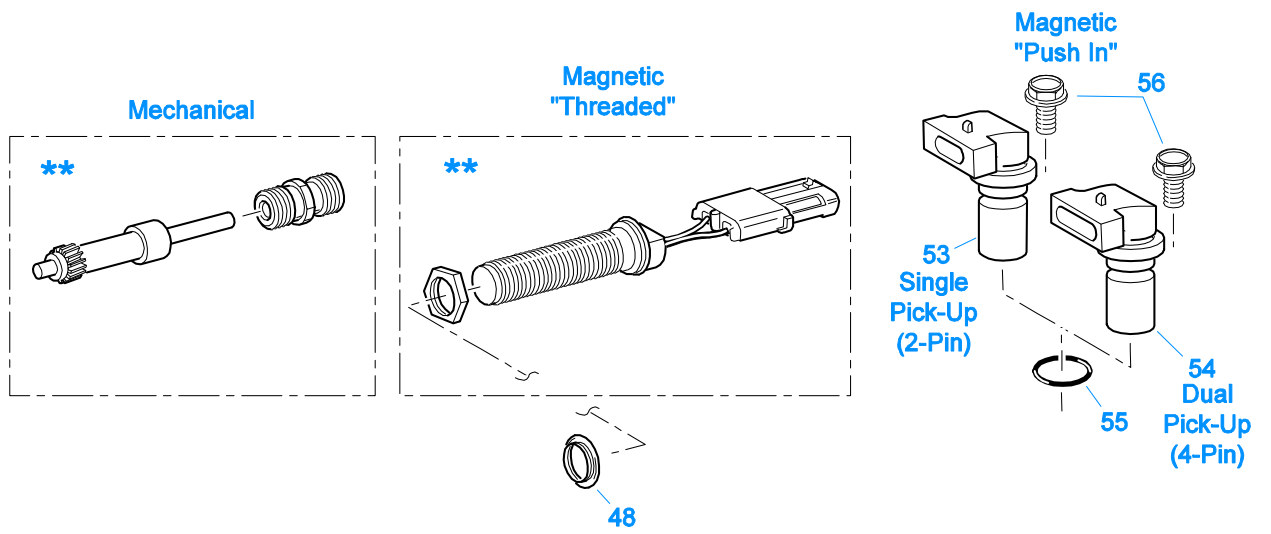
More time on the road®

Illustrated Parts List

FS-5205A
July 2011



Rear Bearing Cover Options

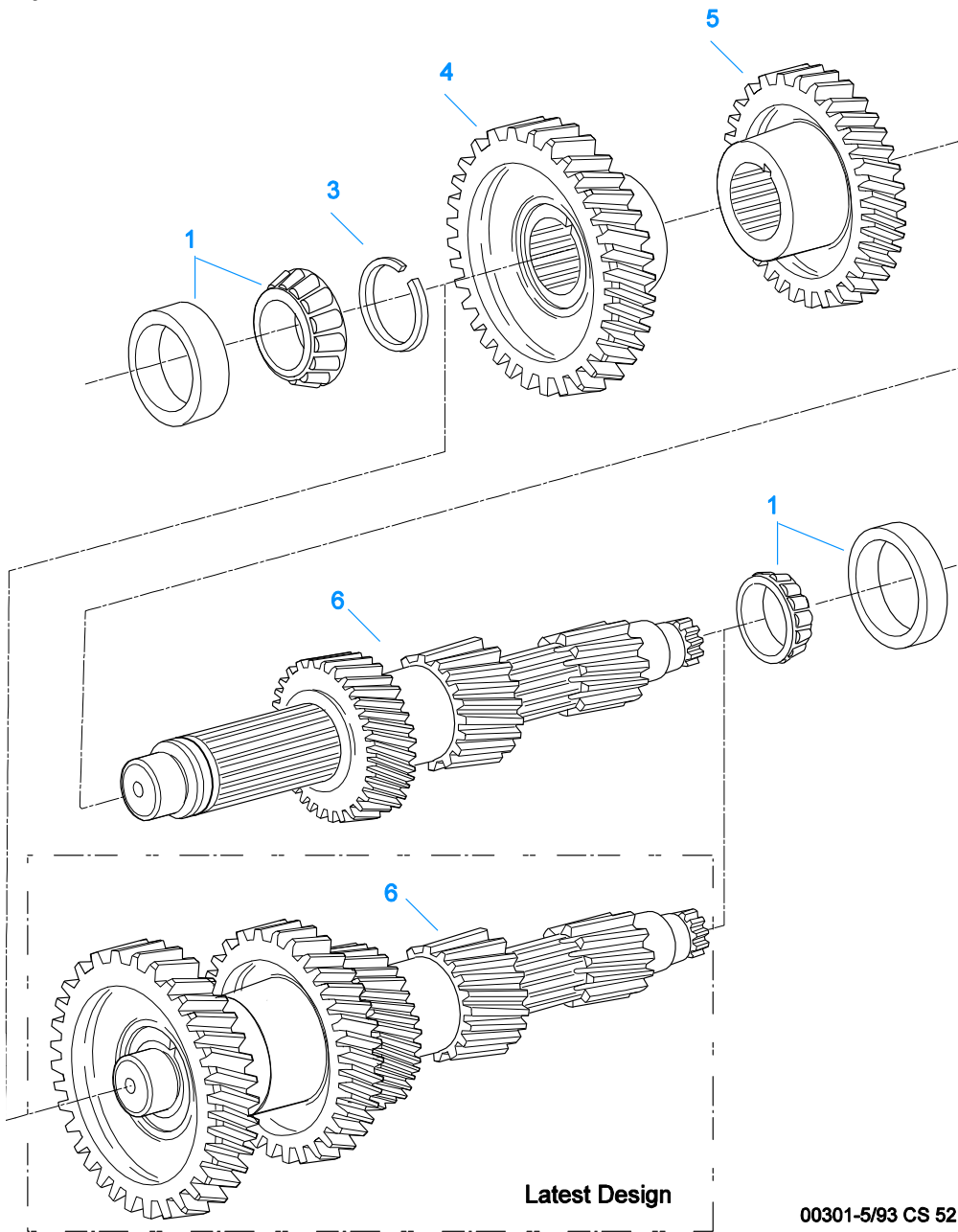


00181D-4-95

CASE

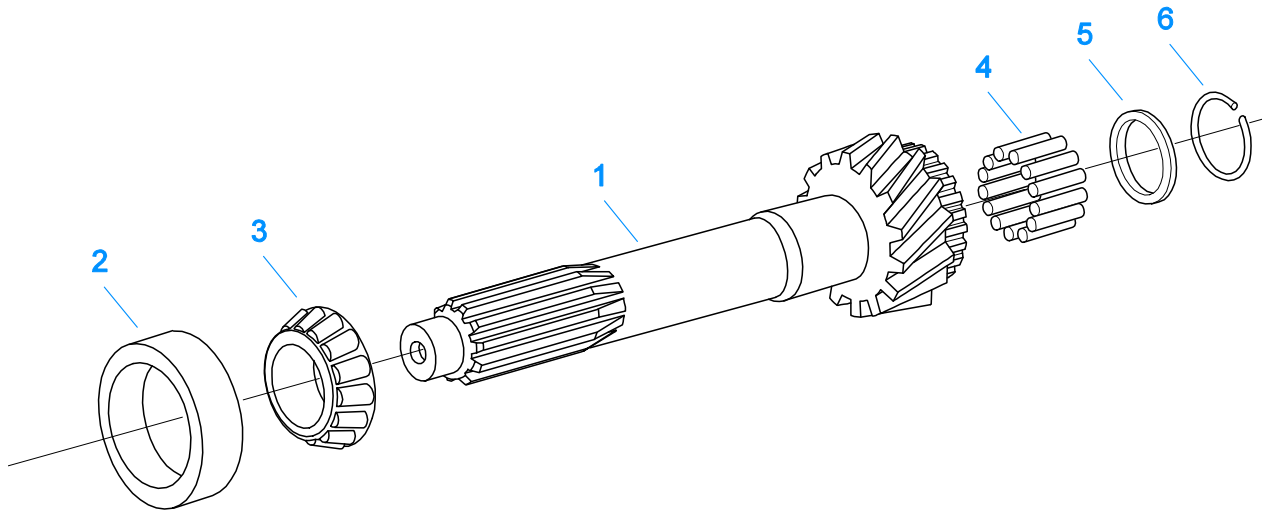
Item	Current Part	Description	Replaced Part	Qty.	Notes	Kits/Assys Where Needed
1	S-1922	CASE ASSY	4300983	1	METRIC BOSS HOLES	
2	A-5205	CLUTCH HSG ASSY	21646	1	#2 ALUMINUM, BELOW CENTER LINE PUSH TYPE	
2	A-5634	CLUTCH HSG ASSY	23726 ,3316236 ,3316237 ,A - 5632 ,A - 5771	1	#2 ALUMINUM, ABOVE CENTER LINE PULL TYPE	
2	A-5751	CLUTCH HSG ASSY	4300418	1	#2 ALUMINUM, BELOW CENTER LINE PUSH TYPE	
2	A-7513	CLUTCH HSG ASSY	3316239	1	#2 ALUMINUM, PUSH TYPE (FORK)	
3	201398	PTO COVER		2		
4	201400	GASKET		2		K-7030
5	239613	CAPSCREW		12	3/8"-16X5/8"	
6	X-12-1210	PIPE PLUG	X12 1206	1		
7	X-12-1207	PIPE PLUG	X12 1202 X12 1206	1	3/4" MAGNETIC	
10	3315679	PLUG		1		
11	3315686	SNAP RING		1		K-7031
12	10H25	FITTING-STRAIGHT		2		
12	4300301	FITTING-45 DEGREE	11H15	2		
18	4300121	OIL SEAL	3315623	1	SHAFT 1.873, WIDTH .375, OD 2.68	K-7032,K-7033
18	4300204	OIL SEAL	235394	1	SHAFT 1.873, WIDTH .375	K-7032,K-7033
18	4300798	OIL SEAL	235393	1	SHAFT 1.625, WIDTH .375	K-7032,K-7033
19	23147	FRONT BRG COVER-PULL	3315538	1	USE 4300121 OIL SEAL	
19	235357	FRONT BRG COVER-PUSH		1	USE 4300204 OIL SEAL	
19	235358	FRONT BRG COVER-PUSH		1	USE 4300798 OIL SEAL	
19	235650	FRONT BRG COVER-PULL		1	USE 4300204 OIL SEAL	
19	4300354	FRONT BRG COVER-PUSH		1	USE 4300204 OR 4300798 OIL SEAL	
19	4300355	FRONT BRG COVER-PUSH		1	USE 4300204 OIL SEAL	
19	4300882	FRONT BRG COVER-PUSH	237335	1	USE 4300798 OIL SEAL	
20	235403	SHIM .004		1	QUANTITY AS REQUIRED	K-2119
20	235404	SHIM .007		1	QUANTITY AS REQUIRED	K-2119
20	235405	SHIM .010		1	QUANTITY AS REQUIRED	K-2119
20	235406	SHIM .020		1	QUANTITY AS REQUIRED	K-2119
20	4300979	SHIM .040		1		
21	239614	SCREW		4	5/16-18X.81	
22	22015	SHIM .004		1	QUANTITY AS REQUIRED	K-2119
22	22016	SHIM .007		1	QUANTITY AS REQUIRED	K-2119
22	22017	SHIM .010		1	QUANTITY AS REQUIRED	K-2119
22	22018	SHIM .020		1	QUANTITY AS REQUIRED	K-2119
22	4300982	SHIM .040		1		
23	22011	NO LONGER AVAILABLE		1		
24	9G416H	SCREW		2	1/4"-20X1"	
25	X-12-405	PIPE PLUG		1		
26	22013	BEARING RETAINER		1		
28	X-8C-604	CAPSCREW		4	3/8"-16X1-1/4"	
30	235422	BEARING ASSY		1	INCLUDES 226331 SNAP RING	
31	226331	SNAP RING		1		K-7032,K-7033
32	21558	SPEEDO ROTOR		1	16 TEETH - 1.96 OUTPUT	
32	3314685	SPEEDO DRIVE GEAR		1	6 TEETH - 1.96 OUTPUT	
33	4300852	GASKET	235653 236733 4301096	1		K-7030,K-7041,K-7042
34	241705	REAR BRG COVER		1	SLEEVE THREAD AT RBC - 1"X20 USE 4300119 OIL SEAL	
34	K-7041	REAR BRG COVER KIT	4302617	1	12 X 3 BRAKE USE 4300119 OIL SEAL NOTE: PUSH-IN TYPE SPEEDO SENSOR	
34	K-7042	REAR BRG COVER KIT	4302618	1	USE 4300119 OIL SEAL NOTE: PUSH- IN TYPE SPEEDO SENSOR	
34	S-7033	REAR BRG COVER ASSY	23341 ,4302023	1	12 X 3 BRAKE USE 23484 OR 4300119 OIL SEAL NOTE: SENSOR SEAL REQUIRED	
34	S-7034	REAR BRG COVER ASSY	21557 ,4302000	1	USE 23484 OR 4300119 OIL SEAL NOTE: SENSOR SEAL REQUIRED	
35	239433	STUD		4	1/2"-20X2-5/16"	S-1922
36	239436	WASHER		4	1/2"	
37	86D8	NUT	86D08	4	1/2"-20	
38	23484	OIL SEAL		1	SHAFT 2.505, WIDTH .433	K-7032,K-7033
38	235655	OIL SEAL		1	SHAFT 2.75, WIDTH .5	K-7032,K-7033
38	4300119	OIL SEAL		1	SHAFT 2.753, WIDTH .5	K-7032,K-7033
38	4300203	OIL SEAL	229985 ,237983	1	SHAFT 2.503, WIDTH .5	
39	21937	NUT	216053 ,235656 ,238026	1	1-1/4"-18	
40	23380	COVER	206466	1		A-5205,A-5634,A- 5751,A-7513

Item	Current Part	Description	Replaced Part	Qty.	Notes	Kits/Assys Where Needed
41	14373	MAGNET		1		S-1922
42	X-3-1000	LOCKWASHER		4	5/8"	
43	X-8-1011	CAPSCREW	1C1036	4	5/8"-11X2-1/4"	
44	X-3-400	LOCKWASHER	4E04	2	1/4"	
45	1C408	CAPSCREW		2	1/4"-20	
46	12815	BUSHING		4		A-5634,A-5751
46	8677	BUSHING		2	USED W/A-5205	A-5205
48	4301954	SENSOR SEAL		1		S-7033,S-7034
49	238370	LIFTING EYE		1		
50	4301603	BEARING RETAINER		1		
51	X-8-688	CAPSCREW		4	3/8"-16X1"	
52	22014	GASKET		1		K-7030
53	K-3454	SPEED SENSOR KIT	A - 6398 ,A - 6724	1	SINGLE PICK-UP (2 PIN)	
54	K-3455	SPEED SENSOR KIT, DUAL	A - 7046 ,A - 7518	1	DUAL PICK-UP (4 PIN)	
55	14142	-O- RING		1		K-7041,K-7042
56	X-8C-409	CAPSCREW		1	1/4"-20X5/8" (RETAINER FOR SENSOR)	
57	23639	COVER		1	USED ON LEFT OR RIGHT SIDE	
58	X-3-400	LOCKWASHER	4E04	2	1/4"	
59	1C408	CAPSCREW		2	1/4"-20	



COUNTERSHAFT ASSY

Item	Current Part	Description	Replaced Part	Qty.	Notes	Kits/Assys Where Needed
1	K-3859	COUNTERSHAFT BRG KIT	654166, 791943	2		
3	224024	SNAP RING		1		K-7031
4	4301181	DRIVE GEAR-CNTRSHFT		1		
5	4301691	4TH GEAR-CNTRSHFT		1		
6	4301185	COUNTERSHAFT		1		



00400-4/93 IS 42

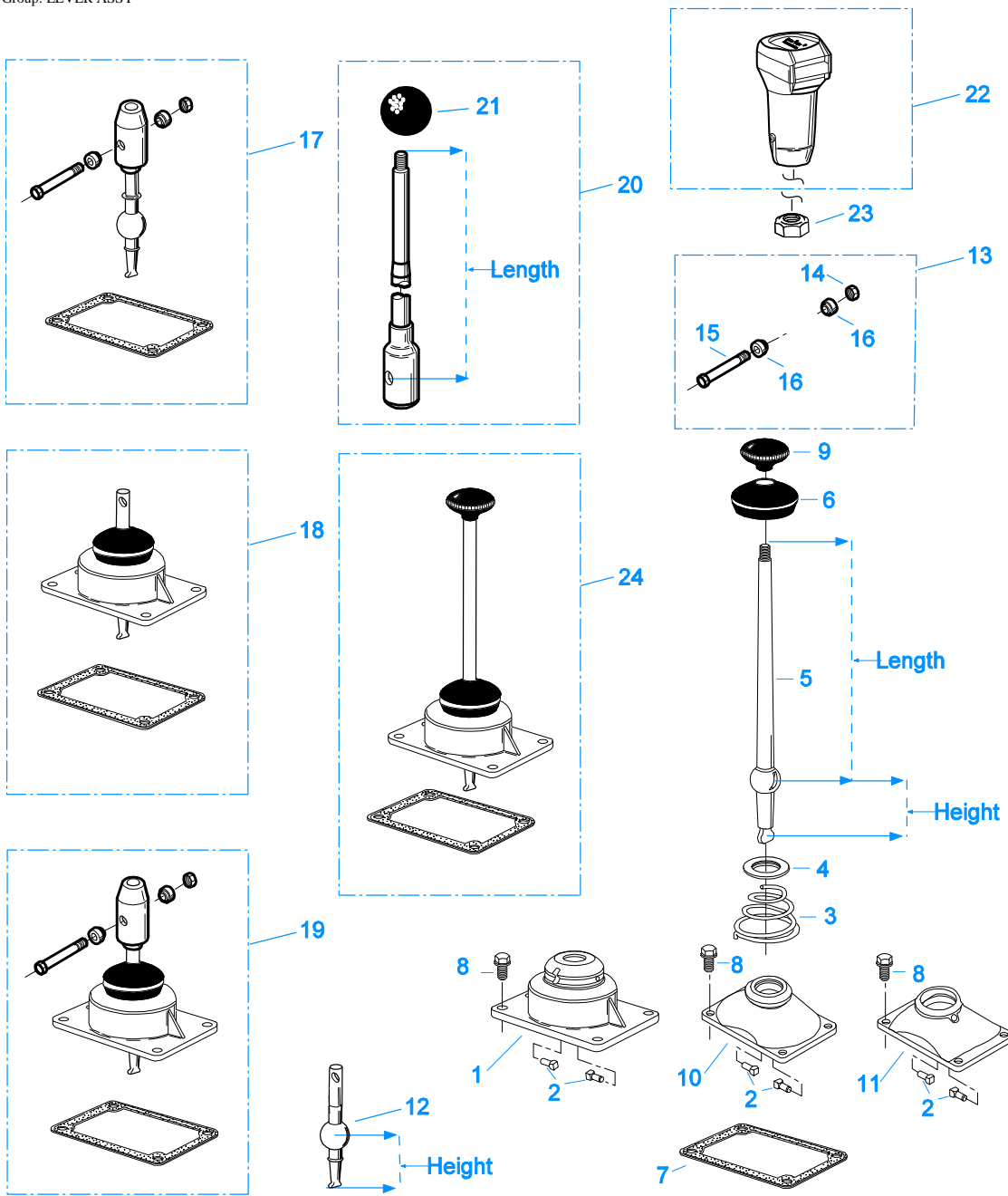
INPUT SHAFT

Item	Current Part	Description	Replaced Part	Qty.	Notes	Kits/Assys Where Needed
1	4301825	IN/SHAFT-1.75" PUSH/PULL		1	USE 23147 FRONT BRG COVER	
1	4301874	INPUT SHAFT-1.50" PUSH		1	USE 235358 FRONT BRG COVER	
1	4301875	INPUT SHAFT-1.50" PUSH		1	USE 235358 FRONT BRG COVER	
1	4301876	INPUT SHAFT-1.75" PUSH		1	USE 235357 FRONT BRG COVER	
1	4301877	IN/SHAFT-1.75" PUSH/PULL		1	USE 23147 FRONT BRG COVER	
1	4301879	INPUT SHAFT-1.50" PUSH		1	USE 4300355 FRONT BRG COVER	
1	4301898	INPUT SHAFT-1.50" PUSH		1	USE 4300882 FRONT BRG COVER	
2	1314774	BEARING CUP		1	1.50" INPUT	K-7032
2	235417	BEARING CUP		1	1.75" INPUT	K-7033
3	1314773	BEARING CONE		1	1.50" INPUT	K-7032
3	235418	BEARING CONE		1	1.75" INPUT	K-7033
4	235414	BEARING		14		K-7032,K-7033
5	235415	WASHER		1		K-7031
6	235416	SNAP RING		1		K-7031

KITS & ASSEMBLIES

Item	Current Part	Description	Replaced Part	Qty.	Notes	Kits/Assys Where Needed
K-2003		PIN & BUSHING KIT		1		
K-2119		SHIM KIT		1		
K-3389		CLUTCH/BAR REPL KIT	235607 ,4301712	1		
K-3421		SYNCHRONIZER KIT	K - 7004	1		
K-3479		SYNCHRONIZER KIT	K - 7005	1		
K-3859		COUNTERSHAFT BRG KIT	654166, 791943	1		
K-7030		GASKET KIT		1		K-7032,K-7033
K-7031		SMALL PARTS KIT		1		
K-7032		BASIC REBUILD KIT		1	FOR UNITS W/1.50" INPUT SHAFT	
K-7033		BASIC REBUILD KIT		1	FOR UNITS W/1.75" INPUT SHAFT	
K-7041		REAR BRG COVER KIT	4302617	1		
K-7042		REAR BRG COVER KIT	4302618	1		
K-7056		SHIFT LEVER HSG KIT	4302654	1	CAST IRON HOUSING LOW - LEVER HEIGHT 2-7/8"	
K-7057		SERVICE LEVER KIT 3-1/2"		1	HIGH - LEVER HEIGHT 3-1/2" NOTE: REQUIRES EXISTING LEVER TO BE CUT AND WELDED (INSTRUCTIONS INCLUDED)	
K-7058		SERVICE LEVER KIT 3-1/8"		1	MEDIUM - LEVER HEIGHT 3-1/8" NOTE: REQUIRES EXISTING LEVER TO BE CUT AND WELDED (INSTRUCTIONS INCLUDED)	
K-7059		SERVICE LEVER KIT 2-7/8"		1	LOW - LEVER HEIGHT 2-7/8" NOTE: REQUIRES EXISTING LEVER TO BE CUT AND WELDED (INSTRUCTIONS INCLUDED)	
K-7061		SHIFT LEVER HSG KIT	241075 ,4302711 ,A - 6439	1	ALUMINUM HOUSING MEDIUM - LEVER HEIGHT 3-1/8"	
K-7062		SHIFT LEVER HSG KIT	233080 ,4302711 ,A - 6440	1	ALUMINUM HOUSING HIGH - LEVER HEIGHT 3-1/2"	
K-7065		SHIFT LEVER HSG KIT	4302704 ,4302711 ,A - 6448	1	ALUMINUM HOUSING LOW - LEVER HEIGHT 2-7/8"	
K-7067		ISOLATED SHIFT LEVER KIT		1	29-3/4" STRAIGHT LEVER - "BEND TO SUIT" 1/2" X 13 THREAD	
K-7069		REMOTE CONTROL KIT	A - 5403	1	LEVER HEIGHT 85MM (3.35")	
S-1578		SHIFT LEVER ASSY 3-1/2"		1	COMPLETE ASSY - ALUMINUM HOUSING HIGH - LEVER HEIGHT 3-1/2" 27-1/2" STRAIGHT LEVER - "BEND TO SUIT" 3/8" X 24 THREAD	
S-1697		ISOLATOR LVR ASSY 3-1/2"		1	HIGH - LEVER HEIGHT 3-1/2"	
S-1821		ISOLATOR LVR ASSY 3-1/8"		1	MEDIUM - LEVER HEIGHT 3-1/8"	
S-1827		SHIFT LEVER ASSY 3-1/8"	S-7079	1	COMPLETE ASSY - ALUMINUM HOUSING MEDIUM - LEVER HEIGHT 3-1/8" 27-1/2" STRAIGHT LEVER - "BEND TO SUIT" 3/8" X 24 THREAD	
S-1922		CASE ASSY	4300983	1	METRIC BOSS HOLES	
S-7015		ISOLATOR LVR ASSY 2-7/8"		1	LOW - LEVER HEIGHT 2-7/8"	
S-7033		REAR BRG COVER ASSY	23341 ,4302023	1		
S-7034		REAR BRG COVER ASSY	21557 ,4302000	1		
S-7045		SHIFT LEVER ASSY 2-7/8"		1	COMPLETE ASSY - ALUMINUM HOUSING LOW - LEVER HEIGHT 2-7/8" 33" STRAIGHT LEVER - "BEND TO SUIT" 3/8" X 24 THREAD	
S-7063		SERVICE LVR ASSY 3-1/8"		1	MEDIUM - LEVER HEIGHT 3-1/8" NOTE: REQUIRES EXISTING LEVER TO BE CUT AND WELDED (INSTRUCTIONS INCLUDED)	
S-7064		SERVICE LVR ASSY 2-7/8"		1	LOW - LEVER HEIGHT 2-7/8" NOTE: REQUIRES EXISTING LEVER TO BE CUT AND WELDED (INSTRUCTIONS INCLUDED)	
S-7065		SERVICE LVR ASSY 3-1/2"		1	HIGH - LEVER HEIGHT 3-1/2" NOTE: REQUIRES EXISTING LEVER TO BE CUT AND WELDED	

Item	Current Part	Description	Replaced Part	Qty.	Notes	Kits/Assys Where Needed
					(INSTRUCTIONS INCLUDED)	
	S-7082	SHIFT BAR HSG ASSY	235626 ,4302945	1	COMPLETE REVERSE SWITCH POSITION - RIGHT FRONT	
	S-7087	SHIFT BAR HSG ASSY	4300339 ,4302957	1	COMPLETE - W/NEUTRAL SWITCH PROVISION REVERSE SWITCH POSITION - RIGHT REAR	
	S-7090	SHIFT LEVER ASSY 3-1/2"		1	COMPLETE ASSY - ALUMINUM HOUSING HIGH - LEVER HEIGHT 3- 1/2" 33" STRAIGHT LEVER - "BEND TO SUIT" 3/8" X 24 THREAD	



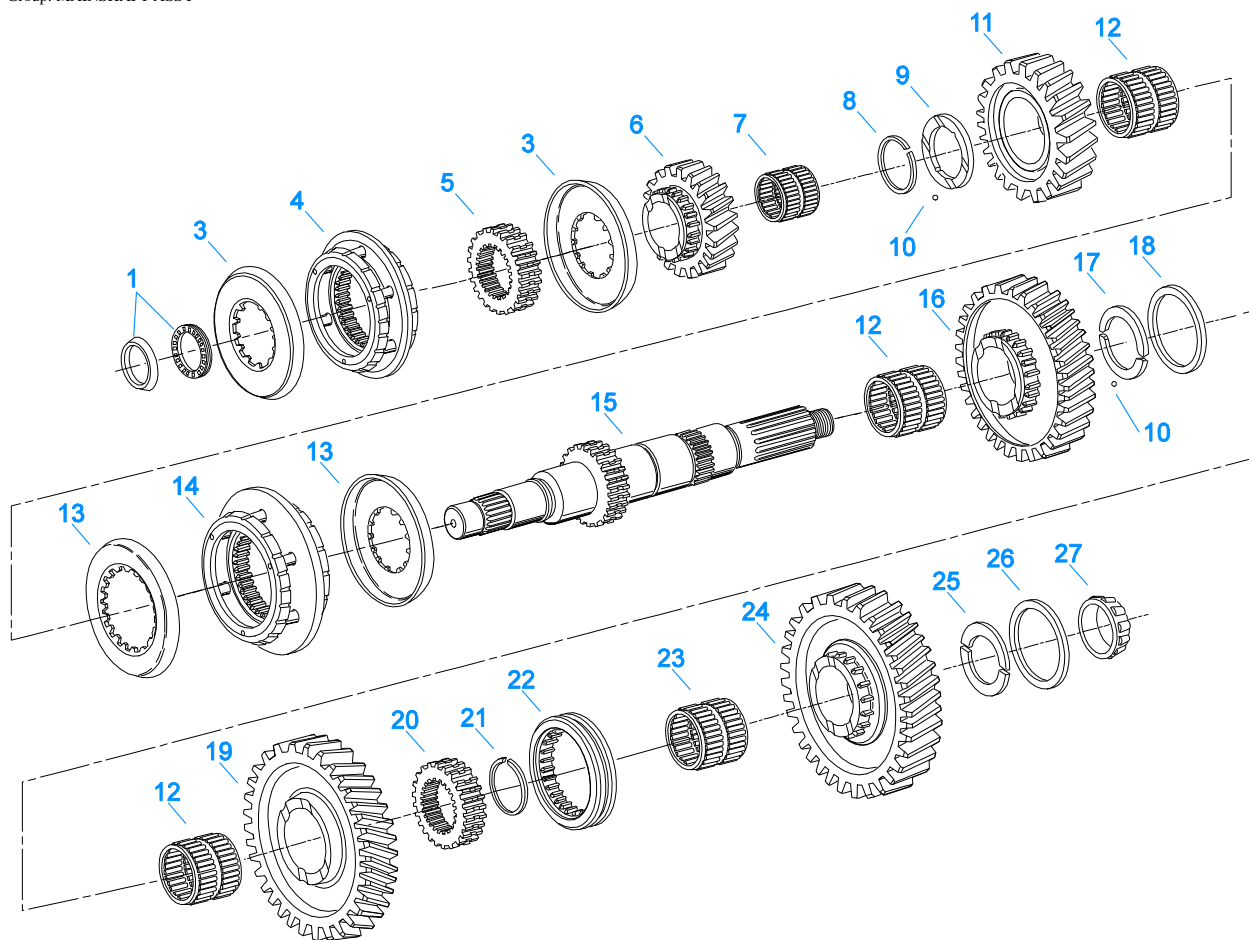
00173-4-95 LA

LEVER ASSY

Item	Current Part	Description	Replaced Part	Qty.	Notes	Kits/Assys Where Needed
1	K-7062	SHIFT LEVER HSG KIT	233080,4302711 ,A - 6440	1	ALUMINUM HOUSING HIGH - LEVER HEIGHT 3-1/2"	
2	201054	PIN		2	FOR HSGS WITHOUT PIN SLEEVES	
2	23180	PIN		2	FOR HSGS WITH PIN SLEEVES	K-7056,K-7061,K-7062,K-7065,S-1578,S-1697,S-1821,S-1827,S-7015,S-7045,S-7063,S-7064,S-7065,S-7090
3	4300690	SPRING	229337	1		S-1578,S-1697,S-1821,S-1827,S-7015,S-7045,S-7063,S-7064,S-7065,S-7090

Item	Current Part	Description	Replaced Part	Qty.	Notes	Kits/Assys Where Needed
3	4301936	SPRING		1	USE W/CAST IRON SHIFT LEVER HOUSING	
4	23181	WASHER		1		S-1578,S-1697,S-1821,S-1827,S-7015,S-7045,S-7063,S-7064,S-7065,S-7090
5	21722	SHIFT LEVER 27-1/2"		1	USE WITH HIGH TOWER 27-1/2" STRAIGHT LEVER - "BEND TO SUIT" 3/8" X 24 THREAD	S-1578
5	22138	SHIFT LEVER 33"		1	USE WITH HIGH TOWER 33" STRAIGHT LEVER - "BEND TO SUIT" 3/8" X 24 THREAD	S-7090
5	22139	SHIFT LEVER 31-1/2"		1	USE WITH MEDIUM TOWER 31-1/2" STRAIGHT LEVER - "BEND TO SUIT" 3/8" X 24 THREAD	
5	241076	SHIFT LEVER 27-1/2"		1	USE WITH MEDIUM TOWER 27-1/2" STRAIGHT LEVER - "BEND TO SUIT" 3/8" X 24 THREAD	S-1827
5	4302823	SHIFT LEVER 33"		1	USE WITH LOW TOWER 33" STRAIGHT LEVER - "BEND TO SUIT" 3/8" X 24 THREAD	S-7045
6	202484	DUST COVER		1		S-1578,S-1697,S-1821,S-1827,S-7015,S-7045,S-7063,S-7064,S-7065,S-7090
7	4301958	GASKET		1		K-7030,K-7056,K-7057,K-7058,K-7059,K-7061,K-7062,K-7065,K-7069,S-1578,S-1697,S-1821,S-1827,S-7015,S-7045,S-7063,S-7064,S-7065,S-7090
8	X-8C-604	CAPSCREW		4	3/8"-16X1-1/4"	
9	201401	SHIFT KNOB		1	3/8"X24 THREAD	S-1578,S-7045,S-7090
10	K-7061	SHIFT LEVER HSG KIT	241075 ,4302711 ,A - 6439	1	ALUMINUM HOUSING MEDIUM - LEVER HEIGHT 3-1/8"	
11	K-7056	SHIFT LEVER HSG KIT	4302654	1	CAST IRON HOUSING LOW - LEVER HEIGHT 2-7/8"	
11	K-7065	SHIFT LEVER HSG KIT	4302704 ,4302711 ,A - 6448	1	ALUMINUM HOUSING LOW - LEVER HEIGHT 2-7/8"	
12	22383	STUB, SHIFT LEVER 3-1/8"		1	MEDIUM - LEVER HEIGHT 3-1/8"	K-7058,S-1821,S-7063
12	22384	STUB, SHIFT LEVER 3-1/2"		1	HIGH - LEVER HEIGHT 3-1/2"	K-7057,S-1697,S-7065
12	4301937	STUB, SHIFT LEVER 2-7/8"		1	LOW - LEVER HEIGHT 2-7/8"	K-7059,S-7015,S-7064
13	K-2003	PIN & BUSHING KIT		1		
14	X-9-503	NUT		1		
15	X-8-560	SCREW		1		
16	21246	BUSHING		2		K-2003,K-7057,K-7058,K-7059,S-7063,S-7064,S-7065
17	K-7057	SERVICE LEVER KIT 3-1/2"		1	HIGH - LEVER HEIGHT 3-1/2" NOTE: REQUIRES EXISTING LEVER TO BE CUT AND WELDED (INSTRUCTIONS INCLUDED)	
17	K-7058	SERVICE LEVER KIT 3-1/8"		1	MEDIUM - LEVER HEIGHT 3-1/8" NOTE: REQUIRES EXISTING LEVER TO BE CUT AND WELDED (INSTRUCTIONS INCLUDED)	
17	K-7059	SERVICE LEVER KIT 2-7/8"		1	LOW - LEVER HEIGHT 2-7/8" NOTE: REQUIRES EXISTING LEVER TO BE CUT AND WELDED (INSTRUCTIONS INCLUDED)	
18	S-1697	ISOLATOR LVR ASSY 3-1/2"		1	HIGH - LEVER HEIGHT 3-1/2"	
18	S-1821	ISOLATOR LVR ASSY 3-1/8"		1	MEDIUM - LEVER HEIGHT 3-1/8"	
18	S-7015	ISOLATOR LVR ASSY 2-7/8"		1	LOW - LEVER HEIGHT 2-7/8"	
19	S-7063	SERVICE LVR ASSY 3-1/8"		1	MEDIUM - LEVER HEIGHT 3-1/8" NOTE: REQUIRES EXISTING LEVER TO BE CUT AND WELDED (INSTRUCTIONS INCLUDED)	
19	S-7064	SERVICE LVR ASSY 2-7/8"		1	LOW - LEVER HEIGHT 2-7/8" NOTE:	

Item	Current Part	Description	Replaced Part	Qty.	Notes	Kits/Assys Where Needed
19	S-7065	SERVICE LVR ASSY 3-1/2"		1	REQUIRES EXISTING LEVER TO BE CUT AND WELDED (INSTRUCTIONS INCLUDED) HIGH - LEVER HEIGHT 3-1/2" NOTE: REQUIRES EXISTING LEVER TO BE CUT AND WELDED (INSTRUCTIONS INCLUDED)	
20	K-7067	ISOLATED SHIFT LEVER KIT		1	29-3/4" STRAIGHT LEVER - "BEND TO SUIT" 1/2" X 13 THREAD	
21	17560	LEVER GRIP		1	1/2"X13 THREAD	K-7067
22	A-6335	SHIFT KNOB ASSY		1	W/5 SPEED EMBLEM, 1/2" X 13 THREAD	
23	X-9-802	NUT		1	1/2"X13 THREAD	
24	S-1578	SHIFT LEVER ASSY 3-1/2"		1	COMPLETE ASSY - ALUMINUM HOUSING HIGH - LEVER HEIGHT 3-1/2" 27-1/2" STRAIGHT LEVER - "BEND TO SUIT" 3/8" X 24 THREAD	
24	S-1827	SHIFT LEVER ASSY 3-1/8"	S-7079	1	COMPLETE ASSY - ALUMINUM HOUSING MEDIUM - LEVER HEIGHT 3-1/8" 27-1/2" STRAIGHT LEVER - "BEND TO SUIT" 3/8" X 24 THREAD	
24	S-7045	SHIFT LEVER ASSY 2-7/8"		1	COMPLETE ASSY - ALUMINUM HOUSING LOW - LEVER HEIGHT 2-7/8" 33" STRAIGHT LEVER - "BEND TO SUIT" 3/8" X 24 THREAD	
24	S-7090	SHIFT LEVER ASSY 3-1/2"		1	COMPLETE ASSY - ALUMINUM HOUSING HIGH - LEVER HEIGHT 3-1/2" 33" STRAIGHT LEVER - "BEND TO SUIT" 3/8" X 24 THREAD	



00201-5/93 MS 52

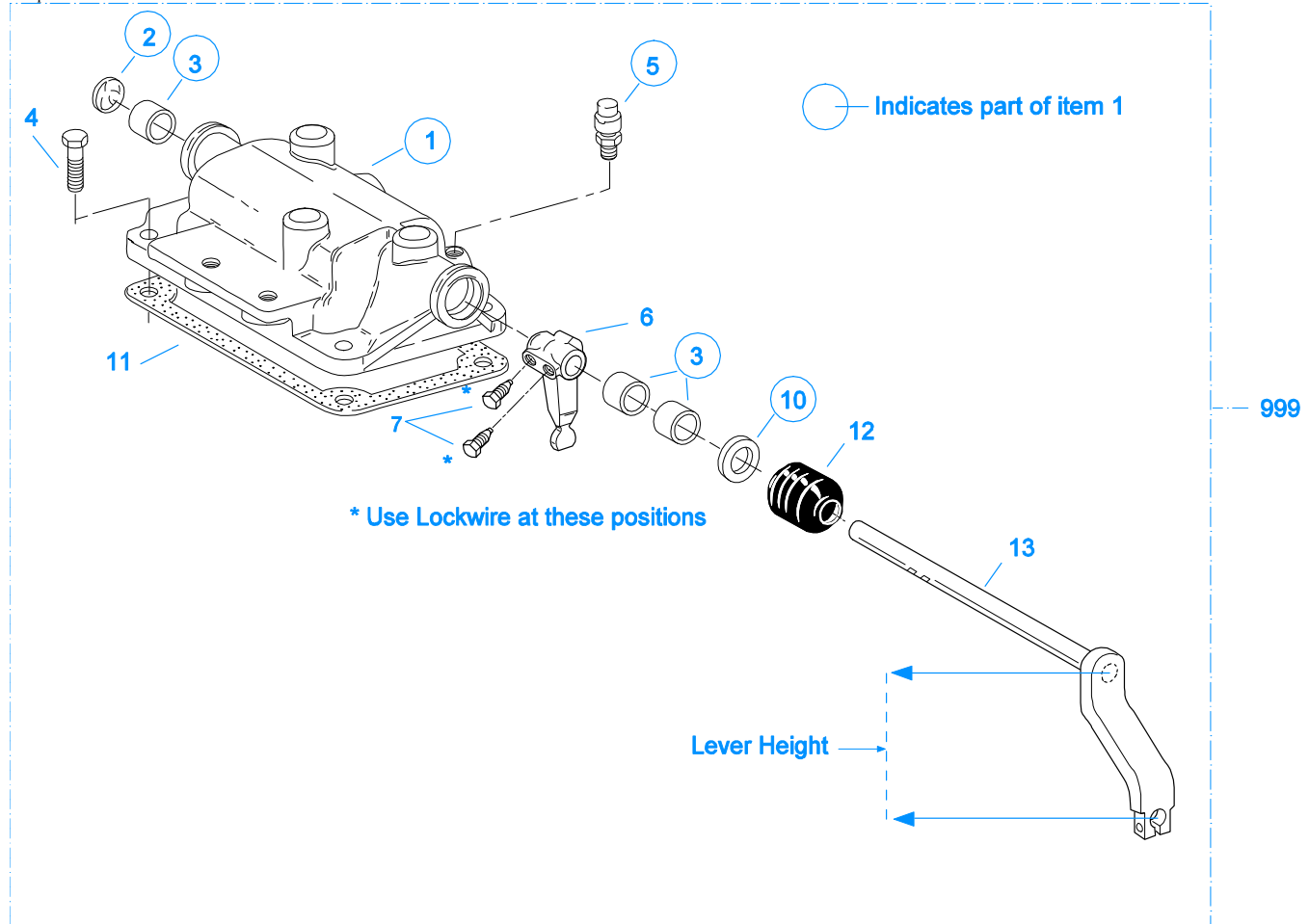
MAINSHAFT ASSY

Item	Current Part	Description	Replaced Part	Qty.	Notes	Kits/Assys Where Needed
1	K-3704	BEARING & RACE KIT	235382 ,235383	1		
3	3001435	SYNCHRONIZER CUP	4301565	2		K-3479
4	A-6609	SYNCHRONIZER ASSY 4/5	A - 6144	1		K-3479
5	4303689	CLUTCH HUB 4/5	4301534	1		K-3303
6	K-3303	4TH GEAR-REPLACEMENT KIT	4301685	1		
7	239651	BEARING		1		K-7032,K-7033
8	224069	SNAP RING		1		K-7031
9	4303687	WASHER	23017	1		K-7031
10	10J06	STEEL BALL		2	3/16"	K-7031
11	4301686	3RD GEAR-MAINSHAFT		1		
12	239653	BEARING		3		K-7032,K-7033
13	4301467	SYNCHRONIZER CUP		2		K-3421
14	A-6608	SYNCHRONIZER ASSY 2/3	A - 6137	1		K-3421
15	4301684	MAINSHAFT		1	1.96 OUTPUT	
15	4301933	MAINSHAFT		1	2.0 OUTPUT	
15	4302992	MAINSHAFT		1	1.75 OUTPUT	
16	4301687	2ND GEAR-MAINSHAFT		1		
17	235378	SPLIT WASHER		2		K-7031
18	235379	RETAINER		1		K-7031
19	4301689	REVERSE GEAR-MAINSHAFT		1		
20	4301706	CLUTCH HUB 1/REV		1		
21	235372	SNAP RING		1		K-7031
22	4304466	SLIDING CLUTCH		1		K-3389
22	K-3389	CLUTCH/BAR REPL KIT	235607 ,4301712	1		
23	239818	BEARING		1		K-7032,K-7033

Item	Current Part	Description	Replaced Part	Qty.	Notes	Kits/Assys Where Needed
24	4301688	1ST GEAR-MAINSHAFT		1		
25	235374	SPLIT WASHER		2		K-7031
26	235375	RETAINER		1		K-7031
27	237227	BEARING CONE		1		K-7032,K-7033

MISCELLANEOUS

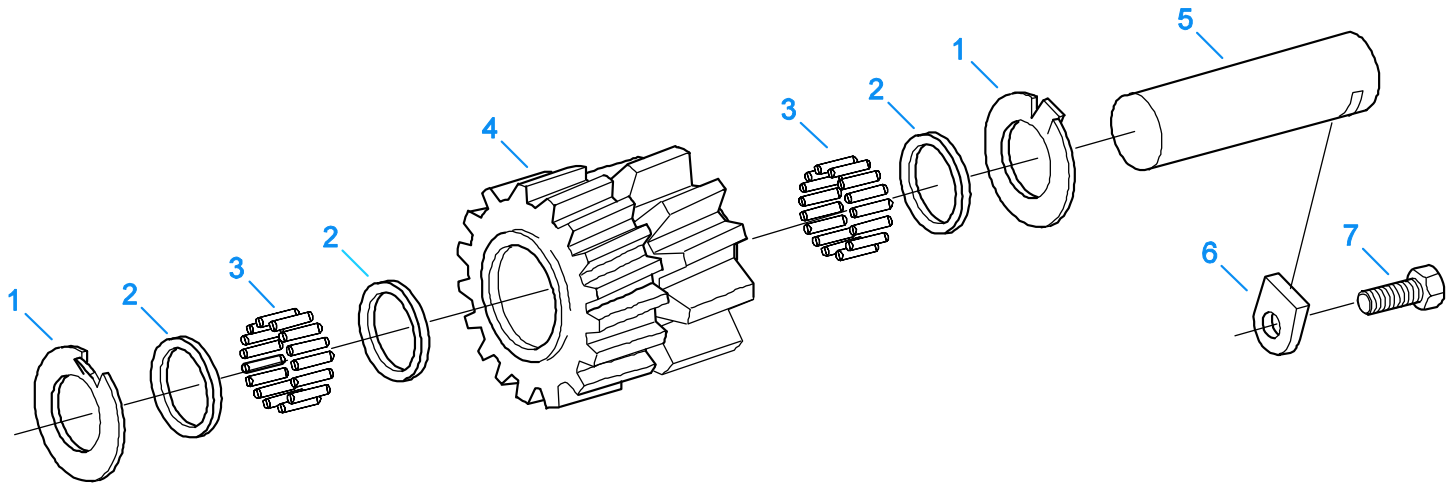
Item	Current Part	Description	Replaced Part	Qty.	Notes	Kits/Assys Where Needed
71203		SILICONE LUBE		1	8 OZ (236.59 CC)-FLEET SIZE	
71204		ADHESIVE SEALANT		1	0.5 CC (SINGLE APPLICATION SIZE)	
71205		SEALANT		1	2 CC (SINGLE APPLICATION SIZE)	
71206		SILICONE LUBE		1	4 CC (SINGLE APPLICATION SIZE)	
71231		GASKET SEALANT		1	8 MILLILITER SIZE	K-2119
71232		THREAD ADHESIVE		1	10 MILLILITER SIZE	K-7032,K-7033



00152-4-95 RCH

REMOTE CONTROL

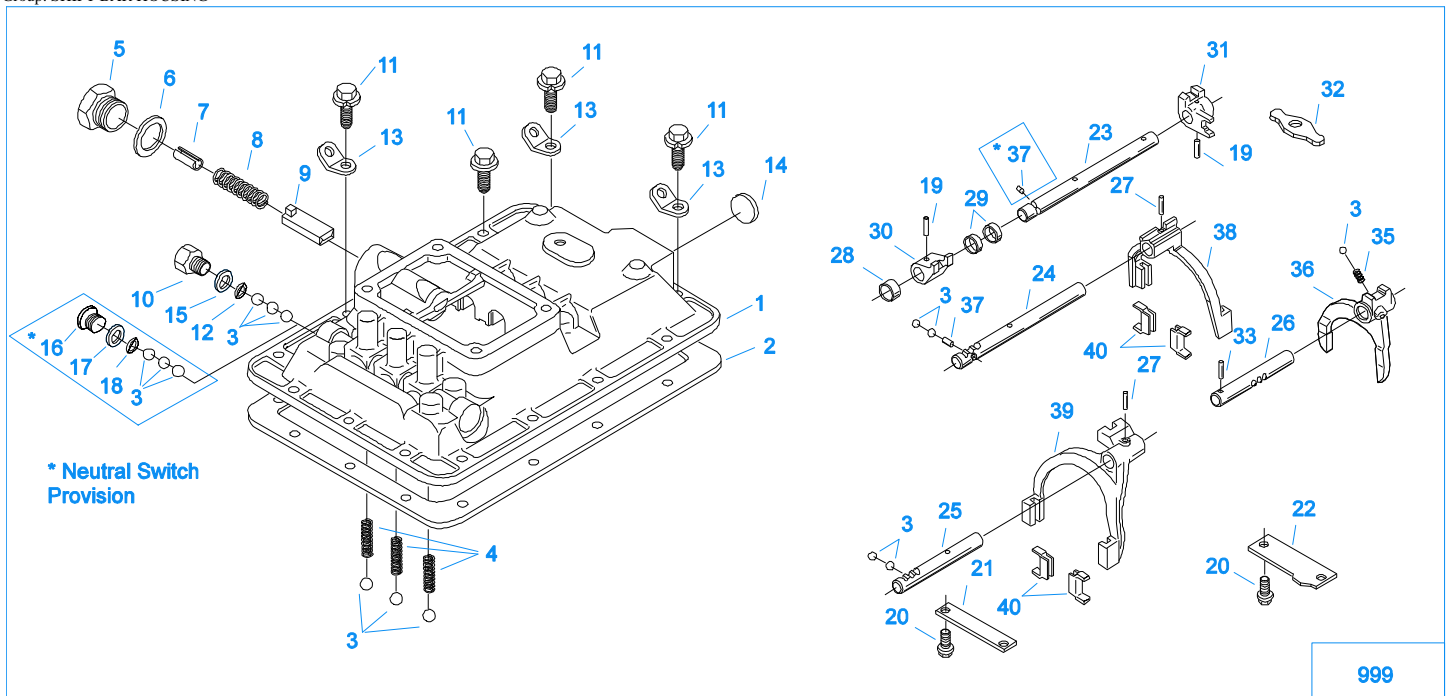
Item	Current Part	Description	Replaced Part	Qty.	Notes	Kits/Assys Where Needed
1	3316308	CONTROL HOUSING ASSY	22115 ,3316309	1		
2	12F100	PLUG 1"		1		
3	3312252	BUSHING		3		
4	X-8C-604	CAPSCREW		4	3/8"-16X1-1/4"	
5	3315948	BREATHER		1		
6	3316290	SHIFT FINGER		1		
7	3315272	SCREW		2		
10	3312225	OIL SEAL		1		
11	4301958	GASKET		1		K-7030,K-7056,K-7057,K-7058,K-7059,K-7061,K-7062,K-7065,K-7069,S-1578,S-1697,S-1821,S-1827,S-7015,S-7045,S-7063,S-7064,S-7065,S-7090
12	3314302	BOOT		1		
13	A-5312	SHAFT & LEVER ASSY		1	LEVER HEIGHT 85MM (3.35")	
999	K-7069	REMOTE CONTROL KIT	A - 5403	1	LEVER HEIGHT 85MM (3.35")	



00451-5/93

REVERSE IDLER GEAR ASSY

Item	Current Part	Description	Replaced Part	Qty.	Notes	Kits/Assys Where Needed
1	240023	WASHER		2		K-7031
2	235413	SPACER		3		K-7031
3	235412	BEARING		52		K-7032,K-7033
4	235392	IDLER GEAR		1		
5	203609	IDLER SHAFT		1		
6	201929	SHAFT LOCK		1		
7	X-8C-600	CAPSCREW	239611	1	3/8"-16X1"	



00101-6/93 SBH 52

SHIFT BAR HOUSING

Item	Current Part	Description	Replaced Part	Qty.	Notes	Kits/Assys Where Needed
1	A-6535	SHIFT BAR HSG ASSY	235626 ,4302945	1	HOUSING ONLY REVERSE SWITCH POSITION - RIGHT FRONT	
1	A-6539	SHIFT BAR HSG ASSY	4300339 ,4302957	1	HOUSING ONLY - W/NEUTRAL SWITCH PROVISION REVERSE SWITCH POSITION - RIGHT REAR	
2	228330	GASKET		1		K-7030,S-7082,S-7087
3	10J14	STEEL BALL		11	7/16" - HOUSING W/REVERSE SWITCH ONLY	
3	10J14	STEEL BALL		14	7/16"-HOUSING W/NEUTRAL SWITCH PROVISION	
4	4303939	SPRING	201045	3		
5	235621	PLUG 1"		1		
6	235622	GASKET		1		K-7030
7	240496	SPACER		1		
8	3316218	SPRING		1		
9	4301700	REVERSE PLUNGER		1		
10	235052	CA PLUG		1	9/16 - 18	
10	4303656	PLUG	15917	1	9/16 - 18, THREADED	
11	X-8C-600	CAPSCREW	239611	14	3/8"-16X1"	
12	4301719	BALL RETAINER-REVERSE		1		
13	238370	LIFTING EYE		3		
14	5879	NO LONGER AVAILABLE		1		
15	15900	GASKET		1		K-7030,S-7082,S-7087
16	4303655	PLUG	17178	1		S-7087
17	17179	GASKET		1		S-7087
18	4301718	BALL RETAINER-NEUTRAL		1		
19	1JM6028	PIN		2		
20	233043	CAPSCREW		4	3/8"-16X1"	
21	4301277	SHIFT BAR RETAINER		1	FRONT	
22	235609	SHIFT BAR RETAINER		1	REAR	
23	4302213	YOKE BAR 1ST/REV		1	USE W/235626, 4302945 OR A-6535 HOUSING	
23	4302657	YOKE BAR 1ST/REV		1	USE W/4300339, 4302957 OR A-6539 HOUSING	
24	4301703	YOKE BAR 2ND/3RD		1		
25	4301702	YOKE BAR 4TH/5TH		1		

Item	Current Part	Description	Replaced Part	Qty.	Notes	Kits/Assys Where Needed
26	4304465	YOKE BAR 1ST/REV		1		K-3389
26	K-3389	CLUTCH/BAR REPL KIT	235607 ,4301712	1		
27	14J1818	PIN		2		
28	204756	SPACER		1	FRONT	
29	233384	SPACER		2	REAR	
30	4300402	SHIFT BLOCK 1ST/REV		1		
31	4301714	REVERSE BLOCK		1		
32	4301692	ACTUATOR		1		
33	106358	PIN		1		
35	206641	SPRING		1		
36	4301772	YOKE 1ST/REV		1		
37	201044	PIN		1	HOUSING W/REVERSE SWITCH ONLY	
37	201044	PIN		2	HOUSING W/NEUTRAL SWITCH PROVISION	
38	A-6226	YOKE 2ND/3RD	4301695	1		
39	A-6225	YOKE 4TH/5TH	4301693	1		
40	227675	INSERT - YOKE PAD		4		A-6225,A-6226
999	S-7082	SHIFT BAR HSG ASSY	235626 ,4302945	1	COMPLETE REVERSE SWITCH POSITION - RIGHT FRONT	
999	S-7087	SHIFT BAR HSG ASSY	4300339 ,4302957	1	COMPLETE - W/NEUTRAL SWITCH PROVISION REVERSE SWITCH POSITION - RIGHT REAR	