



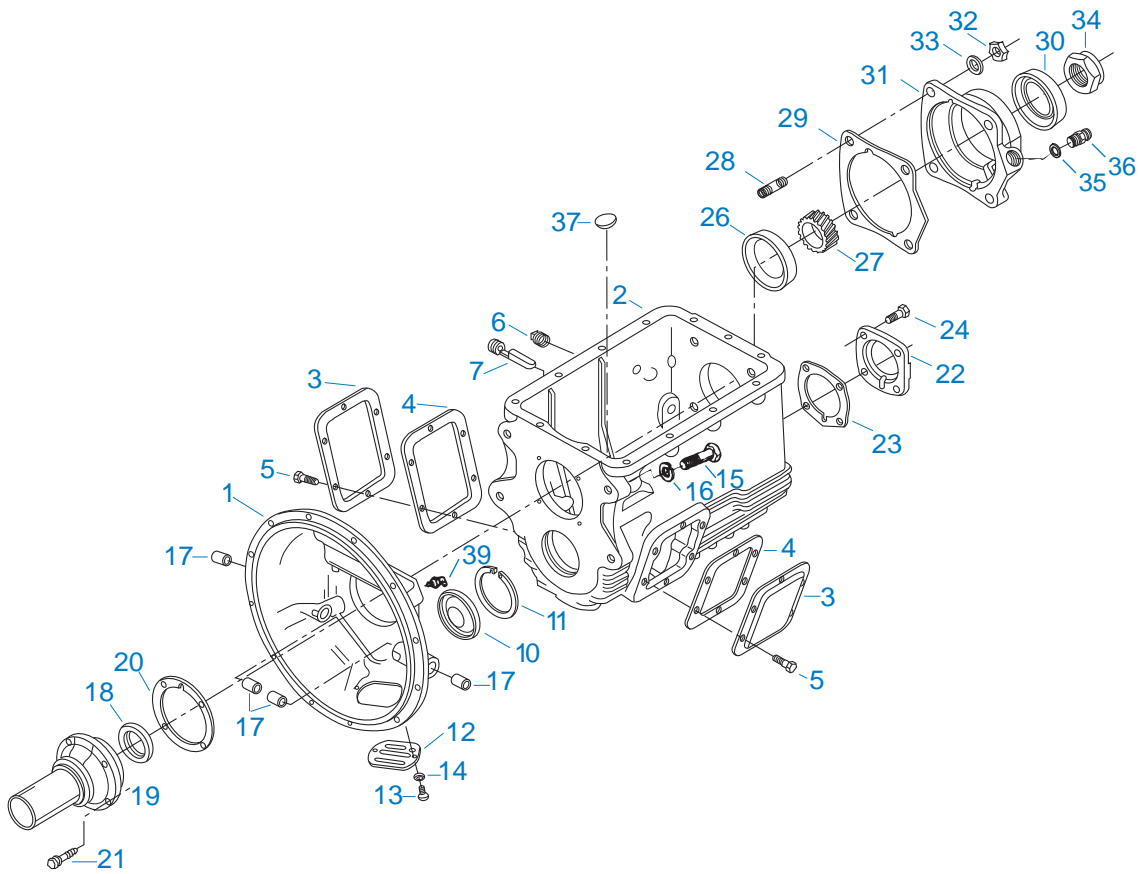
Roadranger®

More time on the road®

Illustrated Parts List

FS-4205A

November 2012



00180-4-93

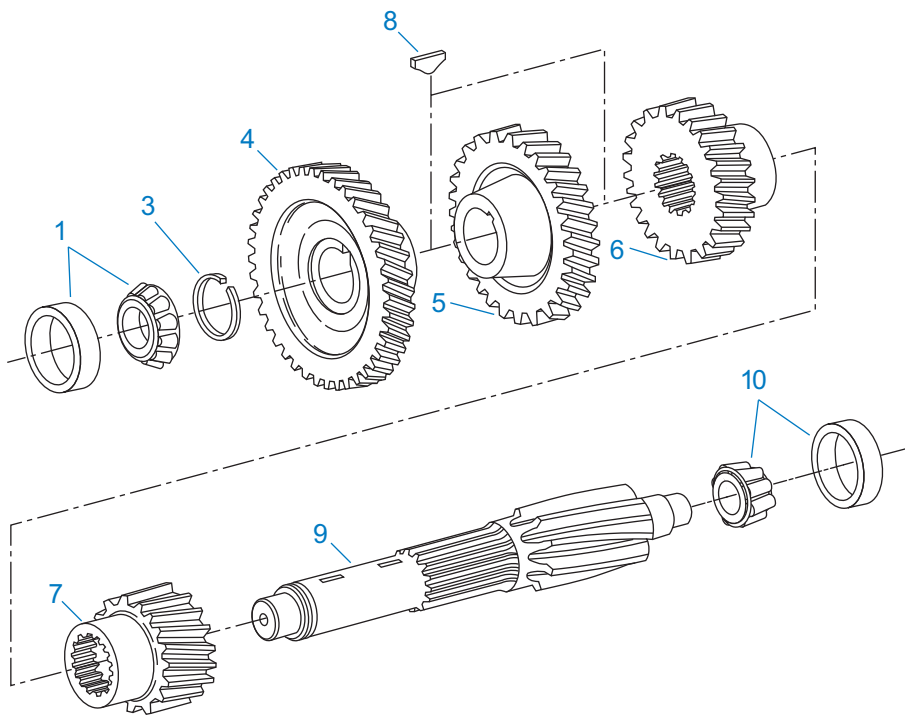
CASE

Item	Current Part	Description	Replaced Part	Qty.	Notes	Kits/Assys Where Needed
1	A-5205	CLUTCH HSG ASSY	21646	1	#2 ALUMINUM, BELOW CENTER LINE PUSH TYPE	
1	A-5629	CLUTCH HSG ASSY	23721 ,229219	1	#3 PUSH-IRON	
1	A-5634	CLUTCH HSG ASSY	23726 ,3316236 ,3316237 ,A - 5632 ,A - 5771	1	#2 ALUMINUM, ABOVE CENTER LINE PULL TYPE	
1	A-5751	CLUTCH HSG ASSY	4300418	1	#2 ALUMINUM, BELOW CENTER LINE PUSH TYPE	
1	A-7513	CLUTCH HSG ASSY	3316239	1	#2 ALUMINUM, PUSH TYPE (FORK)	
2	S-1874	CASE ASSY	4300878	1		
2	S-1923	CASE ASSY	4300816 ,4301032 ,4301099	1		
2	S-1924	NO LONGER AVAILABLE	4301033	1		
3	201398	PTO COVER		2		

Item	Current Part	Description	Replaced Part	Qty.	Notes	Kits/Assys Where Needed
4	201400	GASKET		2		K-2143
5	239613	CAPSCREW		12	3/8"-16X5/8"	
6	X-12-1210	PIPE PLUG	X12 1206	1		
7	X-12-1207	PIPE PLUG	X12 1202 X12 1206	1	3/4" MAGNETIC	
10	239783	PLUG		1		K-2144,K-7000,K-7013
11	240040	SNAP RING		1		K-2144
12	23380	COVER	206466	1		A-5205,A-5629,A-5634,A-5751,A-7513
13	1C408	CAPSCREW		2	1/4"-20	
14	X-3-400	LOCKWASHER	4E04	2	1/4"	
15	X-8-903	CAPSCREW	1C936	4	9/16"-12X2-1/4"	
16	4E09	LOCKWASHER		4	9/16"	
17	12815	BUSHING		4		A-5629,A-5634,A-5751
17	8677	BUSHING		2	USE W/A-5205 CLUTCH HSG ASSY	A-5205
18	4300121	OIL SEAL	3315623	1	SHAFT 1.873, WIDTH .375, OD 2.68	
18	4300204	OIL SEAL	235394	1	SHAFT 1.873, WIDTH .375	
18	4300798	OIL SEAL	235393	1	SHAFT 1.625, WIDTH .375	K-7000,K-7013
19	23147	FRONT BRG COVER-PULL	3315538	1	USE 4300121 OIL SEAL	
19	237743	FRONT BRG COVER-PUSH		1	USE 4300798 OIL SEAL	
19	238870	FRONT BRG COVER-PUSH		1	USE 4300798 OIL SEAL	
19	239821	FRONT BRG COVER-PUSH		1	USE 4300798 OIL SEAL	
19	4300354	FRONT BRG COVER-PUSH		1	USE 4300204 OR 4300798 OIL SEAL	
19	4300355	FRONT BRG COVER-PUSH		1	USE 4300204 OIL SEAL	
19	4300882	FRONT BRG COVER-PUSH	237335	1	USE 4300798 OIL SEAL	
20	240321	GASKET		1		K-2143
21	239614	SCREW		4	5/16-18X.81	
22	4300261	C/S REAR BRG COVER		1		
23	240017	SHIM .004		1	QUANTITY AS REQUIRED	K-2116

Item	Current Part	Description	Replaced Part	Qty.	Notes	Kits/Assys Where Needed
23	240018	SHIM .007		1	QUANTITY AS REQUIRED	K-2116
23	240019	SHIM .010		1	QUANTITY AS REQUIRED	K-2116
23	240020	SHIM .020		1	QUANTITY AS REQUIRED	K-2116
23	4300980	SHIM .040		1		K-2116
24	X-8-688	CAPSCREW		4	3/8"-16X1"	
26	K-3919	BEARING KIT	654166, 654137	1		
27	21555	SPEEDO ROTOR		1		
27	3314356	SPEEDO DRIVE GEAR		1	5 TEETH	
27	3314448	SPEEDO DRIVE GEAR		1	6 TEETH	
27	86301	SPEEDO DRIVE GEAR		1	5 TEETH	
28	239433	STUD		4	1/2"-20X2-5/16"	S-1874,S-1924
29	240329	SHIM .004		1	QUANTITY AS REQUIRED	K-2116
29	240330	SHIM .007		1	QUANTITY AS REQUIRED	K-2116
29	240331	SHIM .010		1	QUANTITY AS REQUIRED	K-2116
29	240332	SHIM .020		1	QUANTITY AS REQUIRED	K-2116
29	4300981	SHIM .040		1		K-2116
30	208385	OIL SEAL		1		
30	4300203	OIL SEAL	229985 237983	1	SHAFT 2.503, WIDTH .5	K-7000,K-7013
31	4300846	REAR BRG COVER	241101	1	USE 4300203 OIL SEAL	
31	4300849	NO LONGER AVAILABLE	241615	1	USE 4300203 OIL SEAL	
31	4300877	REAR BRG COVER	241099	1	USE 4300203 OIL SEAL	
31	4300970	REAR BRG COVER	3315498	1	USE 208385 OIL SEAL	
31	4300972	REAR BRG COVER	241102	1	USE 4300203 OIL SEAL	
31	4301053	REAR BRG COVER	241100	1	USE 4300203 OIL SEAL	
31	K-7038	REAR BRG COVER KIT	4302614	1	USE 4300203 OIL SEAL NOTE: PUSH-IN TYPE SPEEDO SENSOR	
31	K-7039	REAR BRG COVER KIT	4302615	1	USE 4300203 OIL SEAL NOTE: PUSH-IN TYPE SPEEDO SENSOR	
31	S-7030	REAR BRG COVER ASSY	4300845 ,4302037	1	USE 4300203 OIL SEAL NOTE: SENSOR SEAL REQUIRED	
31	S-7031	REAR BRG COVER ASSY	4301677 ,4302039	1	USE 4300203 OIL SEAL NOTE: SENSOR SEAL REQUIRED	
32	86D8	NUT	86D08	4	1/2"-20	
33	239436	WASHER		4	1/2"	

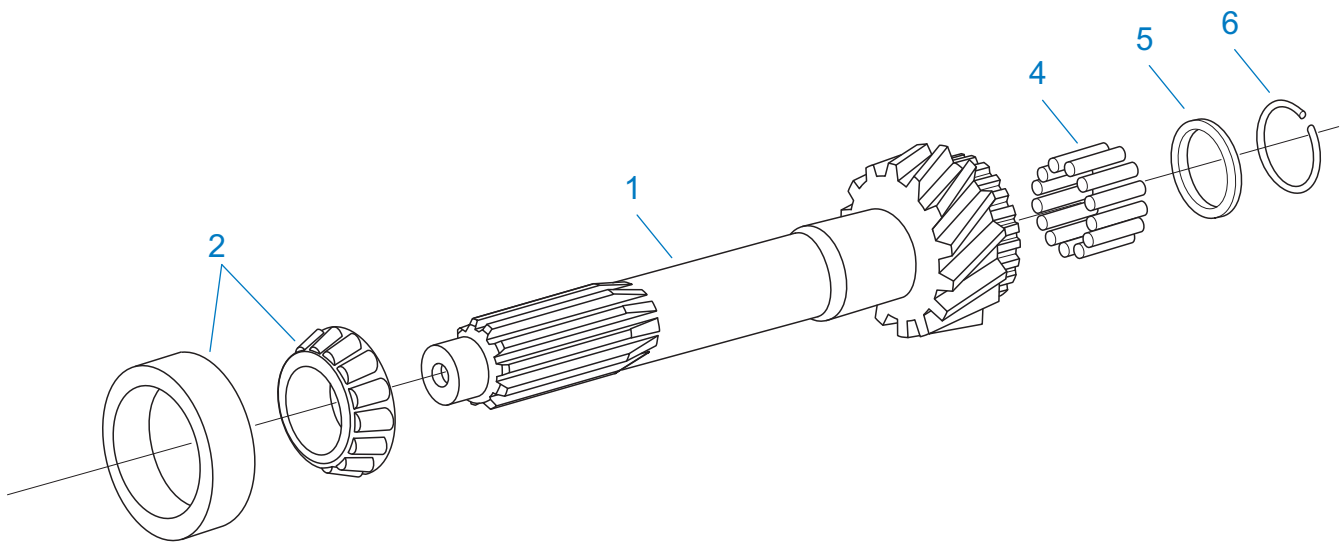
Item	Current Part	Description	Replaced Part	Qty.	Notes	Kits/Assys Where Needed
34	21937	NUT	216053 ,235656 ,238026	1	1-1/4"-18	
35	4301954	SENSOR SEAL		1		S-7030,S-7031
36	86016	SLEEVE		1		
37	14373	MAGNET		1		S-1923,S-1924
39	4300301	FITTING-45 DEGREE	11H15	2		
39	4872	FITTING-90 DEGREE	12H15	2		



00300-4/93

COUNTERSHAFT ASSY

Item	Current Part	Description	Replaced Part	Qty.	Notes	Kits/Assys Where Needed
1	K-4156	BEARING KIT (C/S FRONT)	672070, 675246	1		
3	240767	SNAP RING		1		K-2144
4	241012	DRIVE GEAR-CNTRSHFT		1		
5	4301535	4TH GEAR-CNTRSHFT		1		
6	4301536	3RD GEAR-CNTRSHFT		1		
7	241017	2ND GEAR-CNTRSHFT		1		
8	230292	KEY		2		K-2144
9	4301537	COUNTERSHAFT		1		
10	K-4157	BEARING KIT (C/S REAR)	666554, 730362	1		



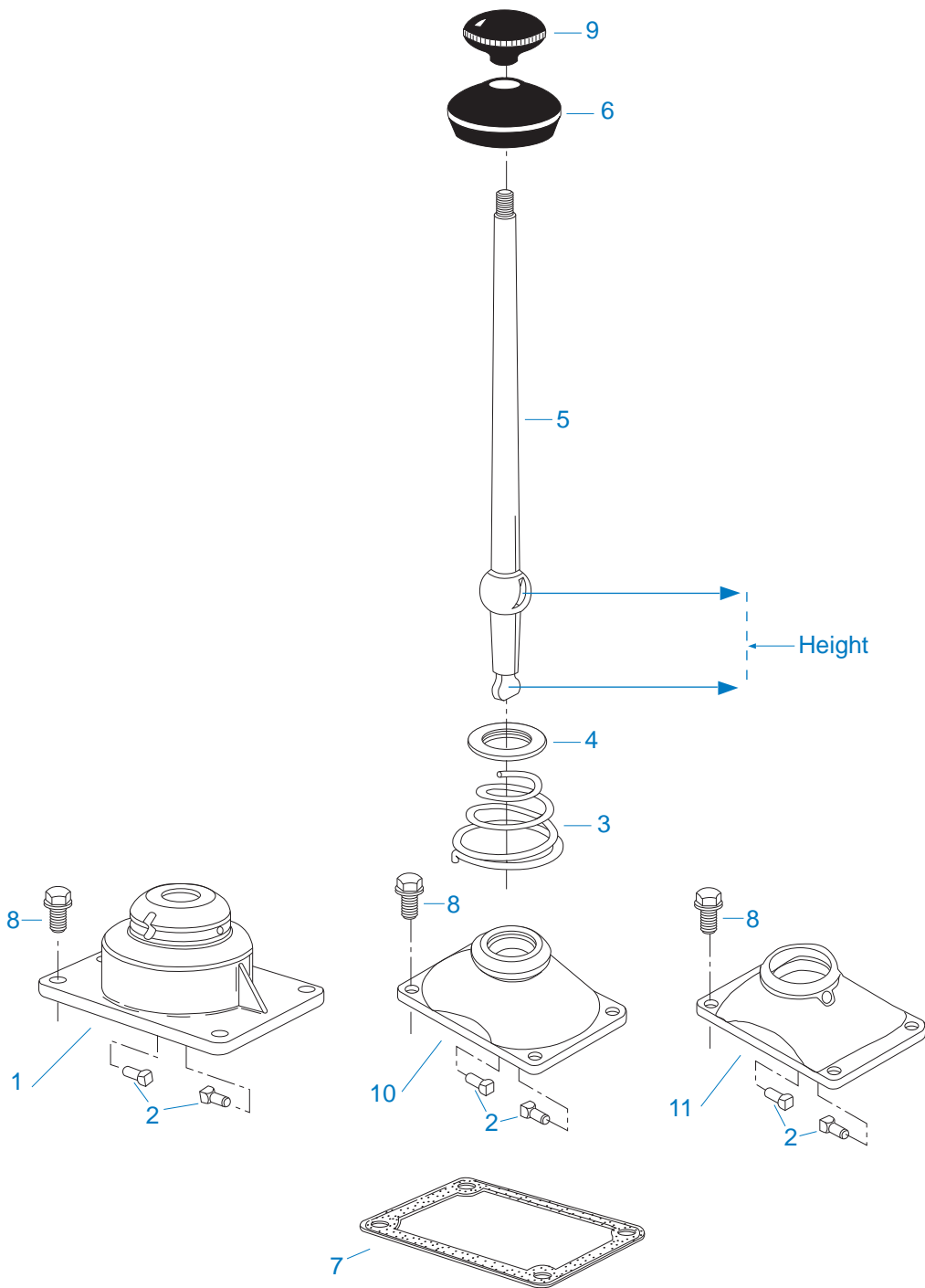
00400-4/93

INPUT SHAFT

Item	Current Part	Description	Replaced Part	Qty.	Notes	Kits/Assys Where Needed
1	4301526	INPUT SHAFT-1.50" PUSH		1	USE 4300882 FRONT BRG COVER	
1	4301614	IN/SHAFT-1.75" PUSH/PULL		1	USE 23147 OR 4300882 FRONT BRG COVER	
1	4301615	IN/SHAFT-1.50" PUSH/PULL		1	USE 23147 FRONT BRG COVER	
1	4301616	INPUT SHAFT-1.50" PUSH		1	USE 4300882 FRONT BRG COVER	
1	4301618	INPUT SHAFT-1.50" PUSH		1	USE 4300882 FRONT BRG COVER	
1	4301619	NO LONGER AVAILABLE		1	USE 239821 OR 4300882 FRONT BRG COVER	
1	4301620	INPUT SHAFT-1.50" PUSH		1	USE 4300354 OR 4300355 FRONT BRG COVER	
1	4301622	INPUT SHAFT-1.375" PUSH		1	USE 237743 FRONT BRG COVER	
2	K-4153	BEARING KIT (INPUT SHAFT)	235417, 235418	1	1.75" INPUT	
2	K-4154	BEARING KIT (INPUT SHAFT)	1314774, 1314773	1	1.118", 1.375" & 1.50" INPUT	
4	235414	BEARING		14		K-7000, K-7013
5	235415	WASHER		1		K-2144
6	235416	SNAP RING		1		K-2144

KITS & ASSEMBLIES

Item	Current Part	Description	Replaced Part	Qty.	Notes	Kits/Assys Where Needed
	K-2116	SHIM KIT		1		
	K-2143	GASKET KIT		1		
	K-2144	SMALL PARTS KIT		1		
	K-3421	SYNCHRONIZER KIT	K - 7004	1		
	K-3479	SYNCHRONIZER KIT	K - 7005	1		
	K-3919	BEARING KIT	654166, 654137	1		
	K-7000	BASIC REBUILD KIT		1	1.50 INPUT - 2.00 OUTPUT	
	K-7013	BASIC REBUILD KIT		1	1.75 INPUT SHAFT	
	K-7038	REAR BRG COVER KIT	4302614	1		
	K-7039	REAR BRG COVER KIT	4302615	1		
	K-7061	SHIFT LEVER HSG KIT	241075 ,4302711 ,A - 6439	1	ALUMINUM HOUSING MEDIUM - LEVER HEIGHT 3-1/8"	
	K-7062	SHIFT LEVER HSG KIT	233080 ,4302711 ,A - 6440	1	ALUMINUM HOUSING HIGH - LEVER HEIGHT 3-1/2"	
	S-1578	SHIFT LEVER ASSY 3-1/2"		1	COMPLETE ASSY - ALUMINUM HOUSING HIGH - LEVER HEIGHT 3-1/2" 27-1/2" STRAIGHT LEVER - "BEND TO SUIT" 3/8" X 24 THREAD	
	S-1827	SHIFT LEVER ASSY 3-1/8"	S-7079	1	COMPLETE ASSY - ALUMINUM HOUSING MEDIUM - LEVER HEIGHT 3-1/8" 27-1/2" STRAIGHT LEVER - "BEND TO SUIT" 3/8" X 24 THREAD	
	S-1874	CASE ASSY	4300878	1		
	S-1923	CASE ASSY	4300816 ,4301032 ,4301099	1		
	S-1924	NO LONGER AVAILABLE	4301033	1		
	S-7030	REAR BRG COVER ASSY	4300845 ,4302037	1		
	S-7031	REAR BRG COVER ASSY	4301677 ,4302039	1		
	S-7045	SHIFT LEVER ASSY 2-7/8"		1	COMPLETE ASSY - ALUMINUM HOUSING LOW - LEVER HEIGHT 2-7/8" 33" STRAIGHT LEVER - "BEND TO SUIT" 3/8" X 24 THREAD	
	S-7077	SHIFT BAR HOUSING ASSY	239834 ,4302944	1	COMPLETE REVERSE SWITCH POSITION - RIGHT FRONT	
	S-7085	SHIFT BAR HSG ASSY	4300336 ,4302956	1	COMPLETE - W/NEUTRAL SWITCH PROVISION REVERSE SWITCH POSITION - RIGHT REAR	

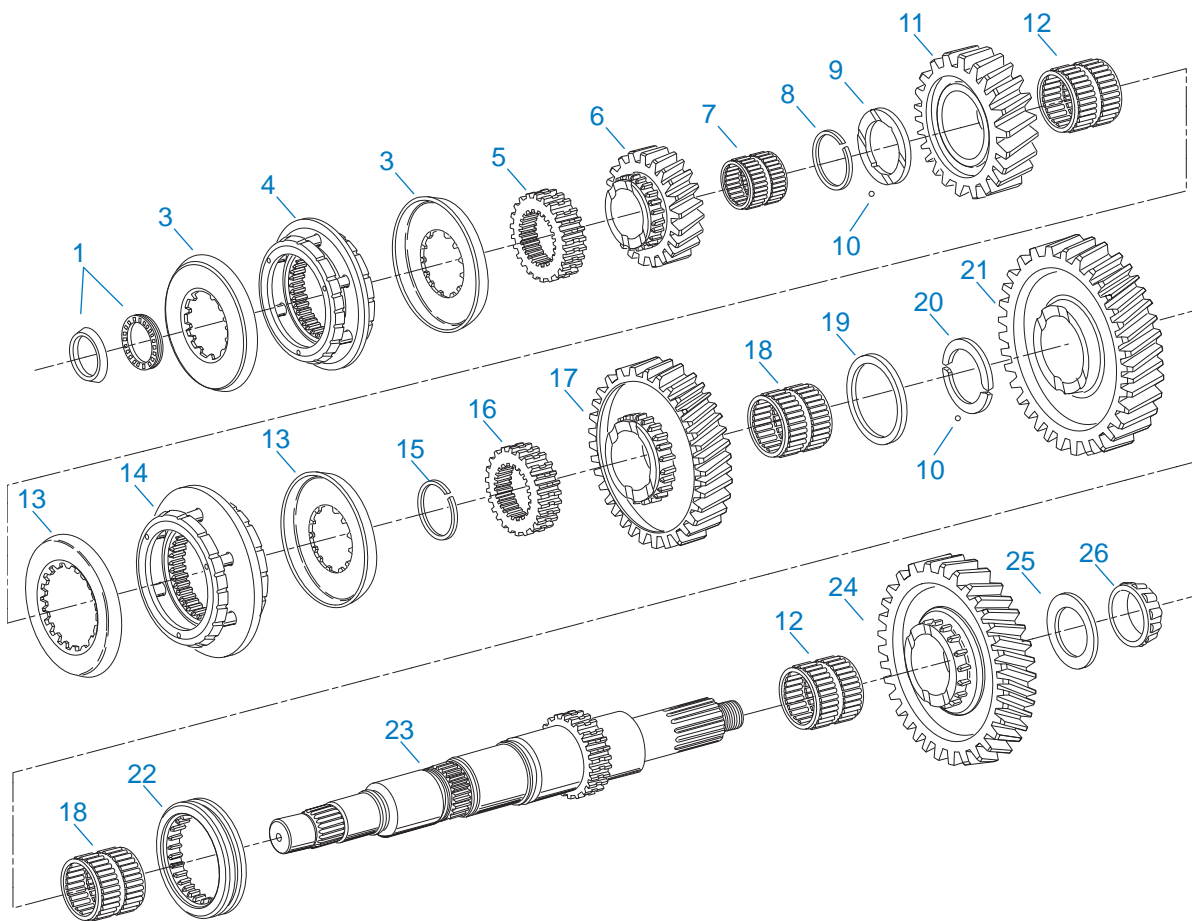


00171-3-94 LA

LEVER ASSY

Item	Current Part	Description	Replaced Part	Qty.	Notes	Kits/Assys Where Needed
1	K-7062	SHIFT LEVER HSG KIT	233080 ,4302711 ,A - 6440	1	ALUMINUM HOUSING HIGH - LEVER HEIGHT 3-1/2"	
2	201054	PIN		2	FOR HSGS WITHOUT PIN SLEEVES	

Item	Current Part	Description	Replaced Part	Qty.	Notes	Kits/Assys Where Needed
2	23180	PIN		2	FOR HSGS WITH PIN SLEEVES	K-7061,K-7062,K-7065,S-1578,S-1827,S-7045
3	4300690	SPRING	229337	1		S-1578,S-1827,S-7045
4	23181	WASHER		1		S-1578,S-1827,S-7045
5	21722	SHIFT LEVER 27-1/2"		1	USE WITH K-7062 STRAIGHT LEVER - "BEND TO SUIT"	S-1578
5	228648	GEAR SHIFT LEVER		1	USE WITH 233080 STRAIGHT LEVER - "BEND TO SUIT"	
5	241076	SHIFT LEVER 27-1/2"		1	USE WITH K-7061 STRAIGHT LEVER - "BEND TO SUIT"	S-1827
5	4302823	SHIFT LEVER 33"		1	USE WITH A-6448 STRAIGHT LEVER - "BEND TO SUIT"	S-7045
6	202484	DUST COVER		1		S-1578,S-1827,S-7045
7	4301958	GASKET		1		K-2143,K-7061,K-7062,K-7065,S-1578,S-1827,S-7045
8	X-8C-604	CAPSCREW		4	3/8"-16X1-1/4"	
9	201401	SHIFT KNOB		1	3/8"X24 THREAD	S-1578,S-7045
10	K-7061	SHIFT LEVER HSG KIT	241075 ,4302711 ,A - 6439	1	ALUMINUM HOUSING MEDIUM - LEVER HEIGHT 3-1/8"	
11	K-7065	SHIFT LEVER HSG KIT	4302704 ,4302711 ,A - 6448	1	ALUMINUM HOUSING LOW - LEVER HEIGHT 2-7/8"	



00200-4/93 MS 42

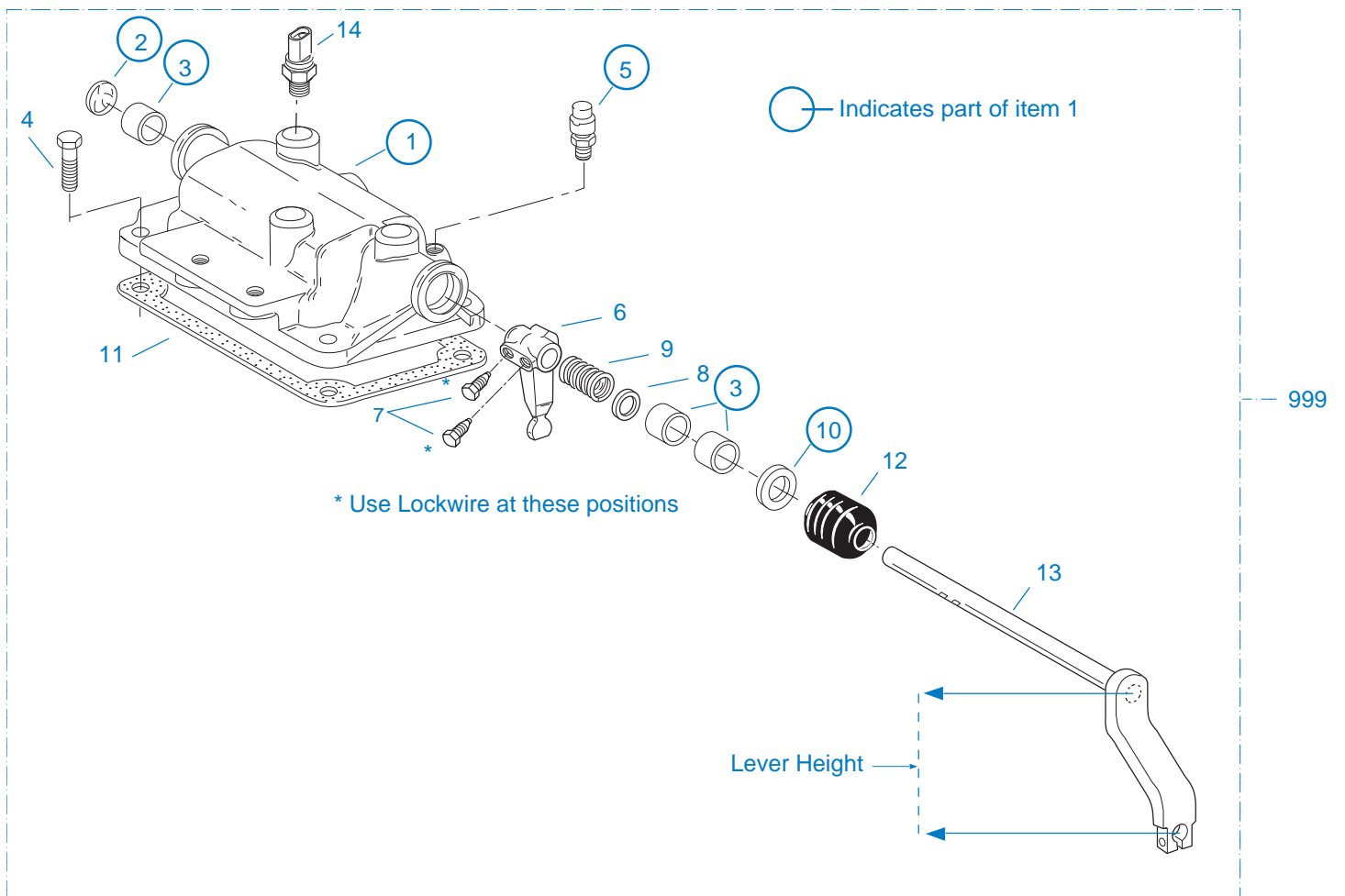
MAINSHAFT ASSY

Item	Current Part	Description	Replaced Part	Qty.	Notes	Kits/Assys Where Needed
1	K-3704	BEARING & RACE KIT	235382 ,235383	1		
3	3001435	SYNCHRONIZER CUP	4301565	2		K-3479
4	A-6609	SYNCHRONIZER ASSY 4/5	A - 6144	1		K-3479
5	4303689	CLUTCH HUB 4/5	4301534	1		
6	4303796	4TH GEAR-MAINSHAFT	4301527	1		
7	239651	BEARING		1		K-7000,K-7013
8	224069	SNAP RING		1		
9	23127	WASHER		1		K-2144
10	10J06	STEEL BALL		2	3/16"	K-2144
11	4301528	3RD GEAR-MAINSHAFT		1		
12	239818	BEARING		2		K-7000,K-7013

Item	Current Part	Description	Replaced Part	Qty.	Notes	Kits/Assys Where Needed
13	4301467	SYNCHRONIZER CUP		2		K-3421
14	A-6608	SYNCHRONIZER ASSY 2/3	A - 6137	1		K-3421
15	240037	SNAP RING		1		K-2144
16	4301533	CLUTCH HUB 2/3		1		
17	4301529	2ND GEAR-MAINSHAFT		1		
18	239653	BEARING		2		K-7000,K-7013
19	235379	RETAINER		1		K-2144
20	235378	SPLIT WASHER		2		K-2144
21	4301530	1ST GEAR-MAINSHAFT		1		
22	4301566	SLIDING CLUTCH		1		
23	4301532	MAINSHAFT		1		
24	4301531	REVERSE GEAR- MAINSHAFT		1		
25	240026	WASHER		1		K-2144
26	K-3919	BEARING KIT	654166, 654137	1		

MISCELLANEOUS

Item	Current Part	Description	Replaced Part	Qty.	Notes	Kits/Assys Where Needed
	71203	SILICONE LUBE		1	8 OZ (236.59 CC)-FLEET SIZE	
	71204	ADHESIVE SEALANT		1	0.5 CC (SINGLE APPLICATION SIZE)	
	71205	SEALANT		1	2 CC (SINGLE APPLICATION SIZE)	
	71206	SILICONE LUBE		1	4 CC (SINGLE APPLICATION SIZE)	
	71231	GASKET SEALANT		1	8 MILLILITER SIZE	K-2116
	71232	THREAD ADHESIVE		1	10 MILLILITER SIZE	K-7000,K-7013

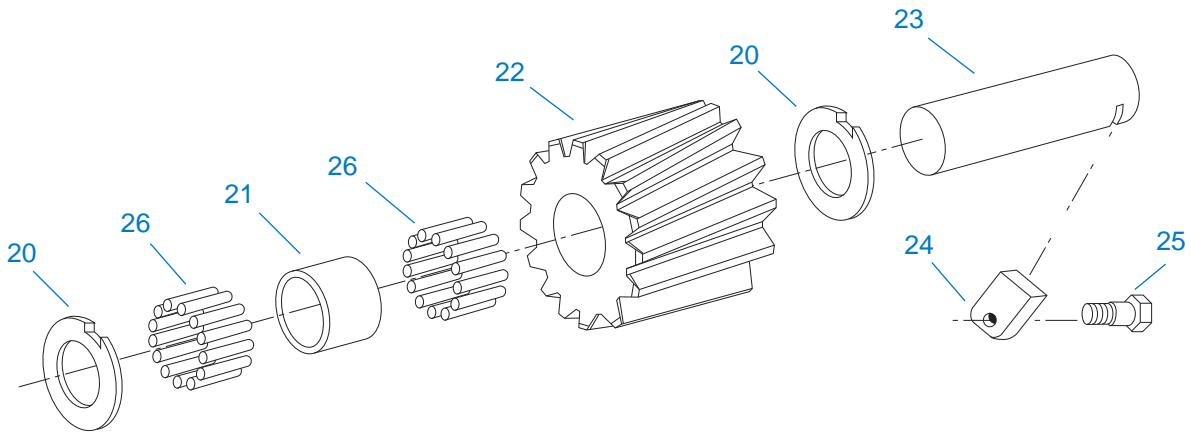


00151-2-94 RCH

REMOTE CONTROL

Item	Current Part	Description	Replaced Part	Qty.	Notes	Kits/Assys Where Needed
1	3316284	NO LONGER AVAILABLE	3316285	1		
2	12F100	PLUG 1"		1		
3	3312252	BUSHING		3		
4	X-8C-604	CAPSCREW		4	3/8"-16X1-1/4"	
5	3315948	BREATHER		1	USE WITH 3316284 HOUSING ASSY	
5	4300217	BREATHER		1		
6	3316290	SHIFT FINGER		1		
7	3315272	SCREW		2		
8	3312745	WASHER		1		
9	3315837	SPRING		1		

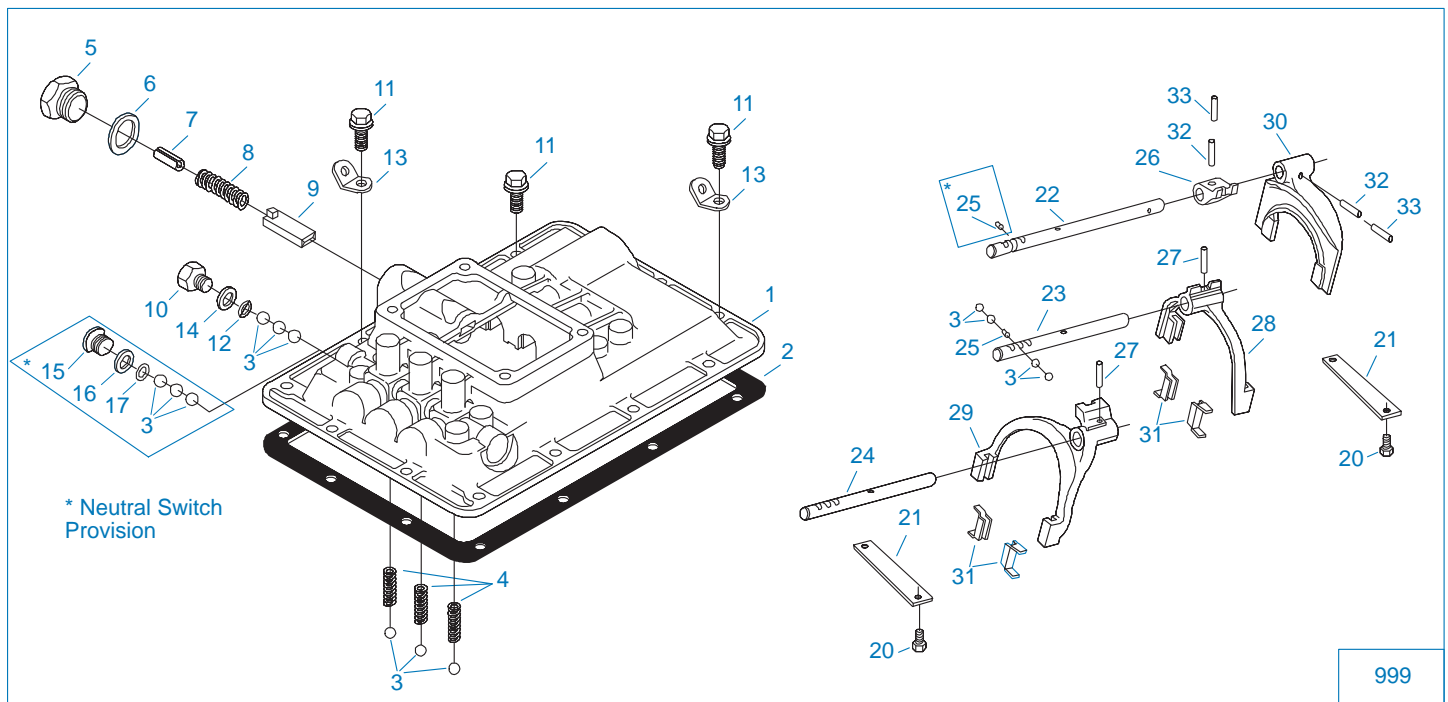
Item	Current Part	Description	Replaced Part	Qty.	Notes	Kits/Assys Where Needed
10	3312225	OIL SEAL		1		
11	4301958	GASKET		1		K-2143,K-7061,K-7062,K-7065,S-1578,S-1827,S-7045
12	3314302	BOOT		1		
13	3316288	NO LONGER AVAILABLE		1	LEVER HEIGHT 5-1/8"	
13	A-5312	SHAFT & LEVER ASSY		1	LEVER HEIGHT 85MM (3.35")	
999	A-5497	NO LONGER AVAILABLE		1	LEVER HEIGHT 5-1/8"	



00450-4/93 RI 42

REVERSE IDLER GEAR ASSY

Item	Current Part	Description	Replaced Part	Qty.	Notes	Kits/Assys Where Needed
20	240023	WASHER		2		K-2144
21	240024	SPACER		1		K-2144
22	4301592	IDLER GEAR	239799	1		
23	240022	IDLER SHAFT		1		
24	201929	SHAFT LOCK		1		
25	X-8C-600	CAPSCREW	239611	1	3/8"-16X1"	
26	235376	BEARING		52		K-7000,K-7013



00100-4/93

SHIFT BAR HOUSING

Item	Current Part	Description	Replaced Part	Qty.	Notes	Kits/Assys Where Needed
1	A-6534	SHIFT BAR HSG ASSY	239834 ,4302944	1	HOUSING ONLY REVERSE SWITCH POISTION - RIGHT FRONT	
1	A-6538	SHIFT BAR HSG ASSY	4300336 ,4302956	1	HOUSING ONLY - W/NEUTRAL SWITCH PROVISION REVERSE SWITCH POISTION - RIGHT REAR	
2	240038	GASKET		1		K-2143,S-7077,S-7085
3	10J14	STEEL BALL		10	7/16" - REVERSE SWITCH	
3	10J14	STEEL BALL		13	7/16" - W/NEUTRAL SWITCH PROVISION	
4	4303939	SPRING	201045	3		
5	235621	PLUG 1"		1		
6	235622	GASKET		1		K-2143
7	240496	SPACER		1		
8	233794	SPRING		1		
9	23576	PLUNGER		1		
10	235052	CA PLUG		1	9/16 - 18	
10	4303656	PLUG	15917	1	9/16 - 18, THREADED	

Item	Current Part	Description	Replaced Part	Qty.	Notes	Kits/Assys Where Needed
11	X-8C-600	CAPSCREW	239611	13	3/8"-16X1"	
12	4301719	BALL RETAINER-REVERSE		1		
13	238370	LIFTING EYE		2		
14	15900	GASKET		1		K-2143,S-7077,S-7085
15	4303655	PLUG	17178	1		S-7085
16	17179	GASKET		1		S-7085
17	4301718	BALL RETAINER-NEUTRAL		1		
20	233043	CAPSCREW		4	3/8"-16X1" - USE W/4301277 RETAINER	
21	4301277	SHIFT BAR RETAINER		2		
22	4301541	YOKE BAR 1ST/REV		1	USE W/239834, 4302944 OR A-6534 HOUSING	
22	4302656	YOKE BAR 1ST/REV		1	USE W/4300336, 4302956 OR A-6538 HOUSING	
23	4301540	YOKE BAR 2ND/3RD		1		
24	4301539	YOKE BAR 4TH/5TH		1		
25	201044	PIN		2	W/NEUTRAL SWITCH PROVISION	
25	201044	PIN		1	REVERSE SWITCH	
26	4300402	SHIFT BLOCK 1ST/REV		1		
27	14J1818	PIN		2		
28	A-6146	YOKE ASSY 2ND/3RD	4301595	1		
29	A-6145	YOKE ASSY 4TH/5TH	4301593	1		
30	4300401	SHIFT YOKE 1ST/REV		1		
31	227675	INSERT - YOKE PAD		4		A-6145,A-6146,K-2144
32	1JM6028	PIN		2		
33	1JM3528	PIN		2		
999	S-7077	SHIFT BAR HOUSING ASSY	239834 ,4302944	1	COMPLETE REVERSE SWITCH POSITION - RIGHT FRONT	
999	S-7085	SHIFT BAR HSG ASSY	4300336 ,4302956	1	COMPLETE - W/NEUTRAL SWITCH PROVISION REVERSE SWITCH POSITION - RIGHT REAR	