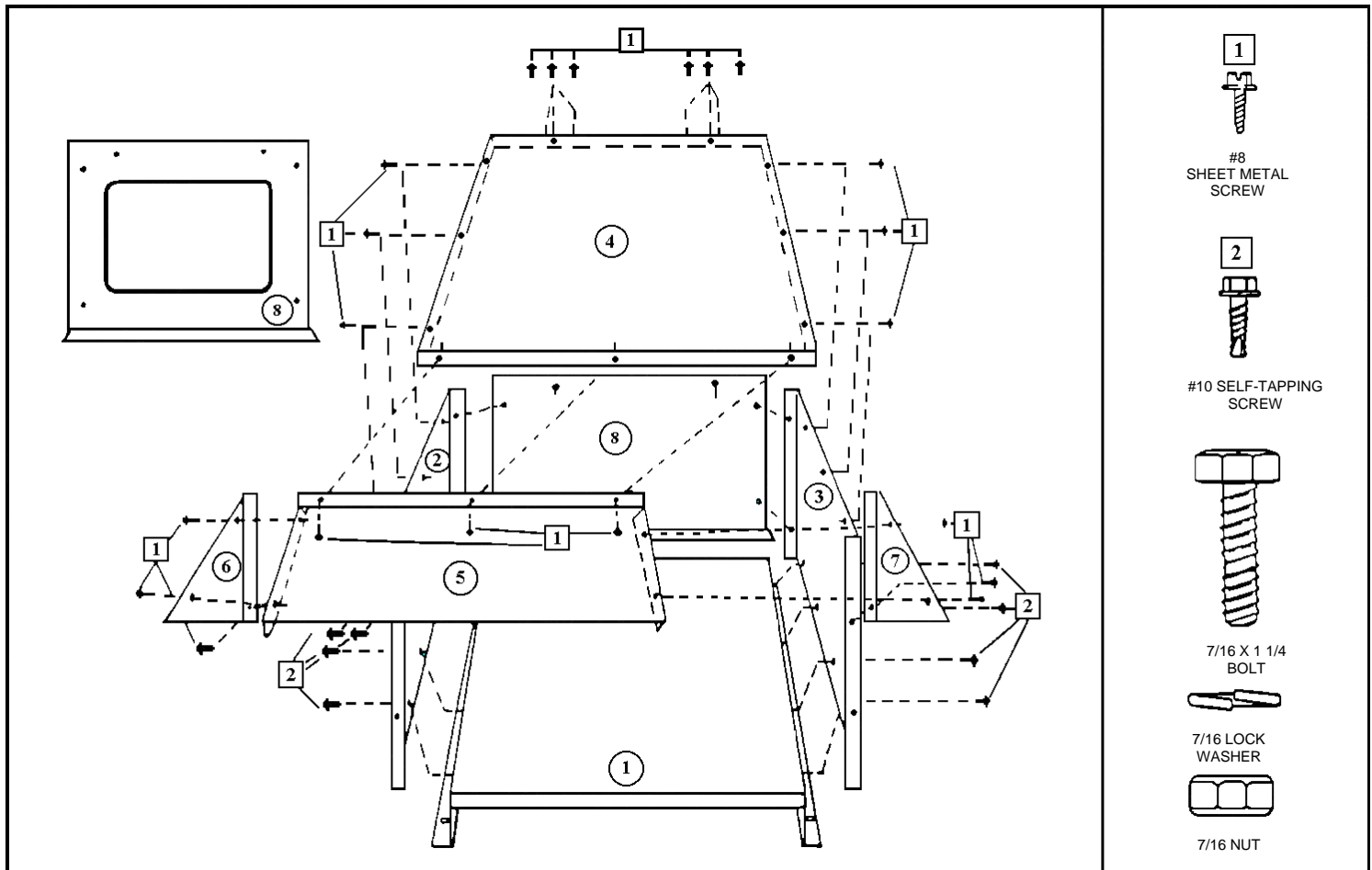


ASSEMBLY INSTRUCTIONS FOR ECONOMY HOODS

Models ECO-180 thru ECO-240



DESCRIPTION of PARTS

- | | | | |
|-------------------------|--------------------|--------------------------------|---------------------------------|
| ① Galvanized Steel Base | ③ Right Side Panel | ⑤ Deflector Panel | ⑦ Right Deflector Panel Support |
| ② Left Side Panel | ④ Top Panel | ⑥ Left Deflector Panel Support | ⑧ Back Panel |

STEP 1 - Cut opening in condenser end panel (8)- (24 Ga.) to fit size of condenser. (Hold panel against the condenser making sure it is centered across the top. The bottom flange of panel should be directly beneath condenser and condensing unit base. Take a pencil and mark around condenser. Cut condenser opening slightly smaller than this mark so that panel overlaps the condenser frame. Take trim provided and install around cut as shown.) Condenser opening may be offset if desired to run piping down side and out back.

STEP 2 - Set condensing unit on base. Slide bottom flange of condenser end panel under condenser. Attach side panels (2) and (3) to base with #10 self-tapping screws and #8 sheet metal screws to condenser end panel. Make sure that the condenser is snug up to the end panel and centered with the cutout. Drill the holes (1/2") to mount condensing unit using bolts provided.

You may want to take down one of the side panels at this point to do necessary piping and wiring. In any event we suggest that you take piping and wiring out to the same side panel. This allows you to dismantle the unit down to one side panel for future service work, or you can go out the back with the piping if you wish but the wiring for a disconnect should go out the side.

STEP 3 - Fasten the top panel with #8 sheet metal screws.

STEP 4 - Fasten deflector by sliding top of deflector under lid flange using #8 sheet metal screws. Install deflector supports each with (2) #8 screws at the top of deflector and (1) under deflector onto flange of side panel.