



DESIGN COMPONENTS, INC.

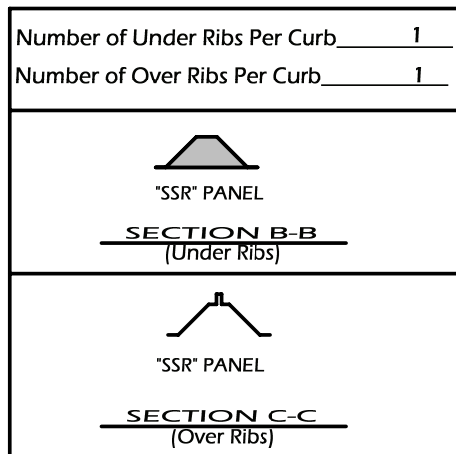
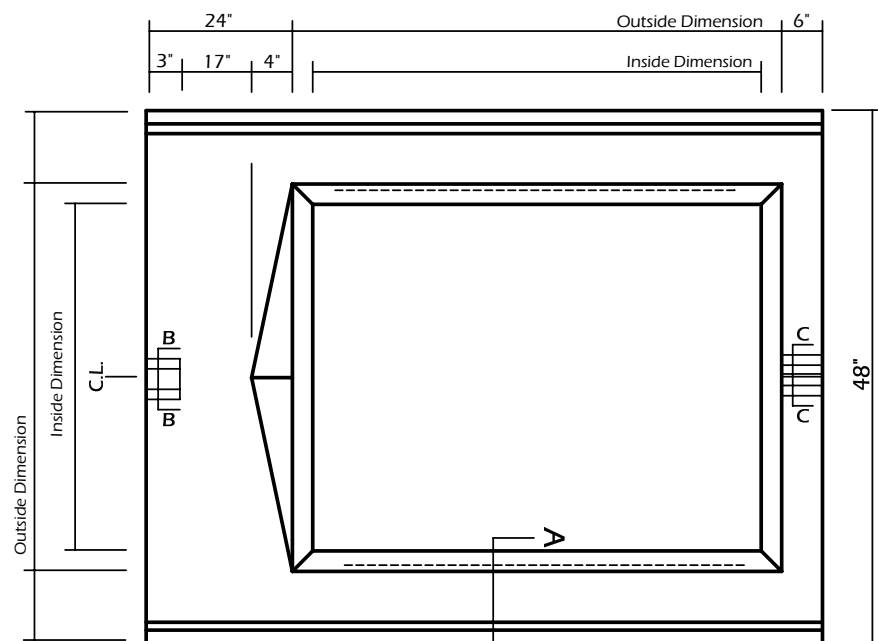
115 Walter Way - Fayetteville, GA 30214
 ph: (800) 868-9910
 fx: (770) 460-7872
 email: sales@designcomponents.com
 website: www.designcomponents.com

SEAMED-IN ROOF CURB 48" SPAN (2 panels) (800) 868-9910

<p>Seamed-In Roof Curb</p> <p><u>STANDARD FEATURES:</u></p> <ol style="list-style-type: none"> 1. .080 Aluminum Construction 2. Corners Mitered and Welded Watertight. 3. Curb welds primed after Fabrication. 4. Water Cricket. 5. 8" Minimum height. 6. Internal Angle Reinforcing. 7. 1-1/2" Thick, 3# Density Fiberglass Insulation. 8. Extended Flanges 9. Full Length Side Ribs 	<p><u>OPTIONS:</u></p> <ol style="list-style-type: none"> 1. 2. 3.
<p>PROJECT NAME: _____</p> <p>CITY, STATE: _____</p> <p>CUSTOMER: _____</p> <p>JOB NUMBER: _____</p>	

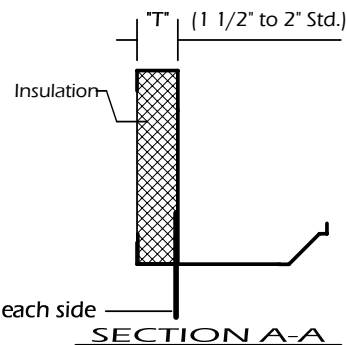
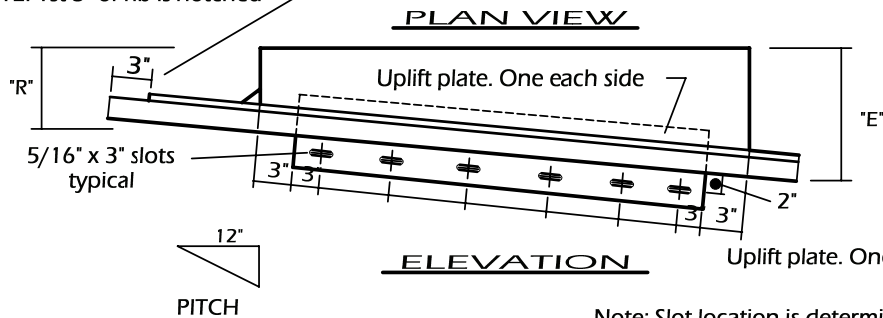
Note: The Front Flange Fits Under the Roof Panel
 The Rear and Side Flanges Fit Over the Roof Panel

RIBS TO MATCH THIS ROOF PANEL _____



MAX CURB O.D. IS 36"
 WITH THIS NO. OF RIBS

NOTE: 1st 3" of rib is notched



Note: Slot location is determined by the curb length.
 Maximum spacing is 12" O.C.

QUANTITY	INSIDE DIMENSION	OUTSIDE DIMENSION "W" x "L"	HEIGHT "R"	TAG
	X	X		
	X	X		
	X	X		
	X	X		
	X	X		